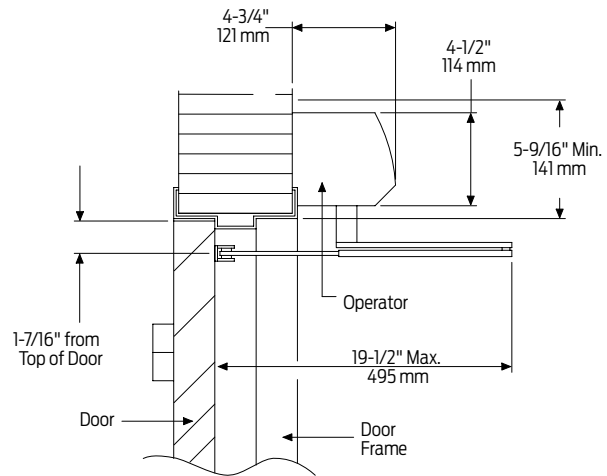
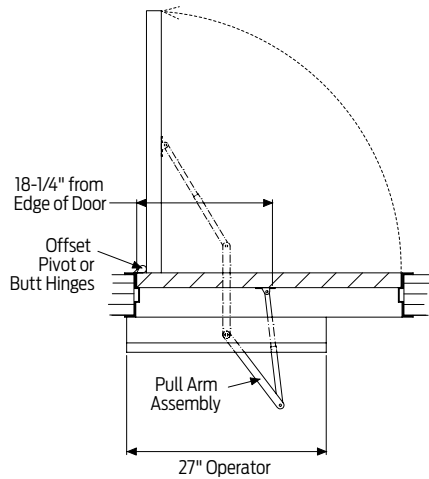


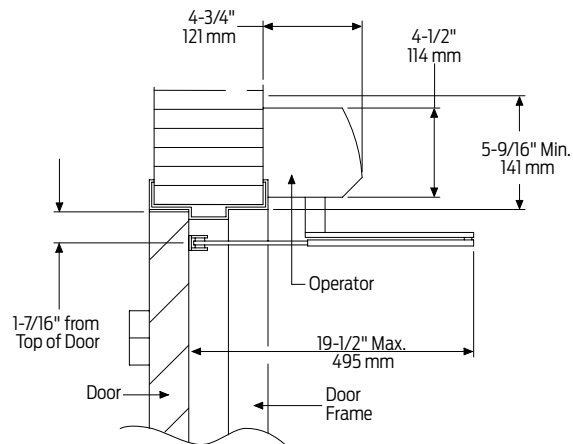
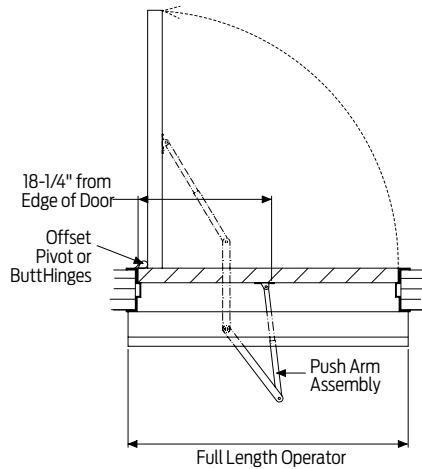
9140 Series Benchmark

Mounting details

Top Jamb Single Door Mounting



Offset/butt hinge, center pivot, push, standard cover



Offset/butt hinge, center pivot, push, full cover

| | |
|---------------------------------|---|
| Butt Hinges | Should not exceed 5" (127 mm) in width |
| Reveal | Push installations should not exceed 6" (152 mm) for REGULAR ARM and 9-3/4" (248 mm) for LONG ARM |
| Head Frame | Minimum 2" (51 mm) |
| Top Rail | <ul style="list-style-type: none"> ■ Minimum 2" (51 mm) ■ Flush ceiling installation requires 5-1/4" (133 mm) minimum |
| Opening and Closing Time | <ul style="list-style-type: none"> ■ Variable by adjustments to the electronic control module located on the operator assembly ■ Maximum hold open time adjustable up to approximately 30 seconds |
| System Diagram | See "AUTOMATIC OPERATORS" section pages 54 for typical system wiring and page 55 for electrical data |
| Maximum Opening | Template allows 90 degree power opening and 90 degree manual opening |

Notes:

- Push 'N Go permits non-switch activation with a microprocessor control box that ensures reliability and maintains customer settings
- Power boost allows for increased closing force near latch
- On/off switch is included as standard
- All potentiometers are clearly labeled with their functions
- LED lights indicate power to control box and motor gearbox

Motor Gearbox

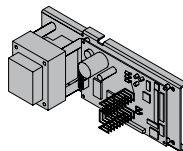


- 9140-3454S**
Motor Gearbox Assembly
- Driving mechanism for operator (switch included)
 - For 27" unit



- 9140-3454**
Motor Gearbox Assembly (W/O Switch)
- Driving mechanism for operator (switch not included)
 - For full length unit (36")

Control Box

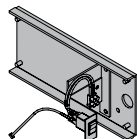


- 9130-3462**
Control Box (120v)
- Electronic controlling device with power supply output and power boost feature for Benchmark

Brackets

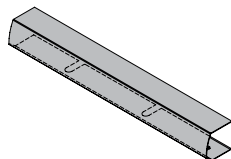


- 9140-3018**
Mounting bracket
- Standard

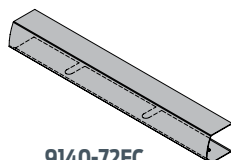


- 9140-3351-1**
Switch Bracket
- 29" cable
 - Used with a 36" door
 - Used to locate switch at end of cover on full length unit

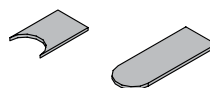
Covers



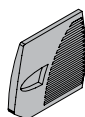
- 9140-72MC**
Metal Cover
- Non-handed
 - 27"
 - Extruded aluminum cover
 - Standard



- 9140-72FC**
Full Metal Cover
- Non-handed
 - 36"
 - Extruded aluminum cover



- 9140-163**
Cover Insert
- Used to cover operator shaft opening (includes 2 pieces)



- 9140-163-1**
Cover End Cap Insert
- Used to cover switch hole opening



- 9140-334**
Cover End Cap
- Black plastic
 - Includes 9130-163-1 cover and cap insert

Arms



9140-3077
Regular arm

- Non-handed



9140-3077L
Long push arm

- Non-handed



9140-79
Rod and shoe

- For use with regular arm



9140-79LR
Long rod and shoe

- Used with long arm, for deep reveals

How-to-order 9140 Series closers

Specify Finish

- Standard Anodized Finish _____
Aluminum or Dark Bronze

Operator options

Cover

- 36" Full Cover

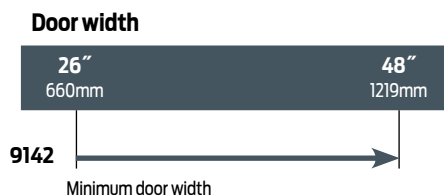
Arm

- Long Arm (3077L) (reveals 6" to 9-3/4")

Operator will be shipped with:

- Standard motor gearbox
- Standard control box
- Mounting bracket
- 27" metal cover
- Standard arm (3077)
- Standard track w/track roller
- Wood and machine screw pack
unless options listed below are selected

Table of sizes



→ Indicates recommended range of door width for operator.

*NOTE: For All Benchmark Series.
30" minimum door width for 27" pull operator.
36" door width only for full length pull operator.*