

The 9130 BENCHMARK by LCN is an electrically powered low-energy operator. It provides easy access for people with disabilities, or the elderly. Designed primarily for automatic opening applications that occasionally require manual opening. The BENCHMARK is a cost-effective solution for retrofitting an activated or manual door.

<b>Certifications</b>	Grade 1 - A156.19, UL325, ADA, 100 Hour Salt Spray, Meets BAA - Buy American Act
<b>Handing</b>	Non-Handed
<b>Door Width</b>	<ul style="list-style-type: none"> <li>■ 30" - 48"</li> <li>■ 30" minimum door width for 27"</li> <li>■ 36" door width only for full length pull operator</li> </ul>
<b>Warranty</b>	2 years

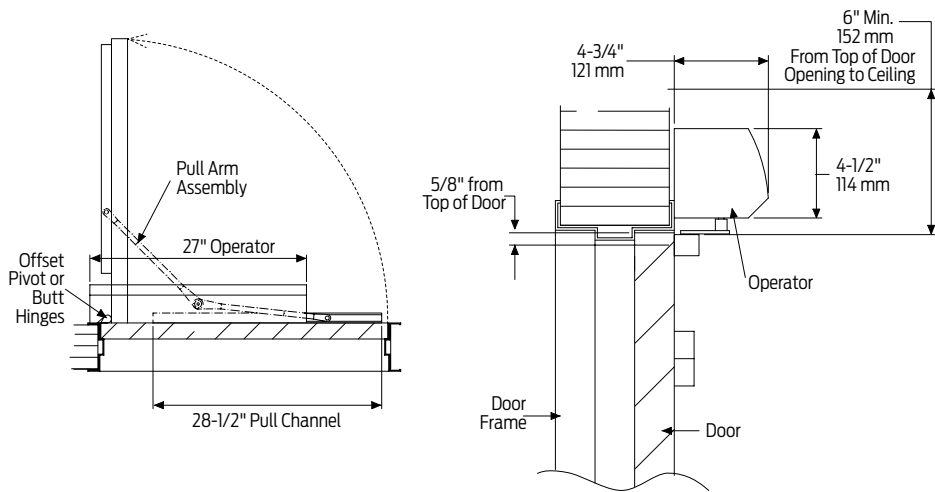
<b>Cover</b>	<ul style="list-style-type: none"> <li>■ Metal 27", standard</li> <li>■ Metal 36", optional</li> </ul>
<b>Fasteners</b>	Wood and machine screws
<b>Mounting</b>	Single interior door, surface mount, offset pivot / butt hinge (Pull Side)
<b>Arms</b>	Standard arm and track
<b>Finishes/Colors/ Powder Coat</b>	<ul style="list-style-type: none"> <li>■ Anodized aluminum, standard</li> <li>■ Dark bronze, optional</li> </ul>

**Special  
Templates**

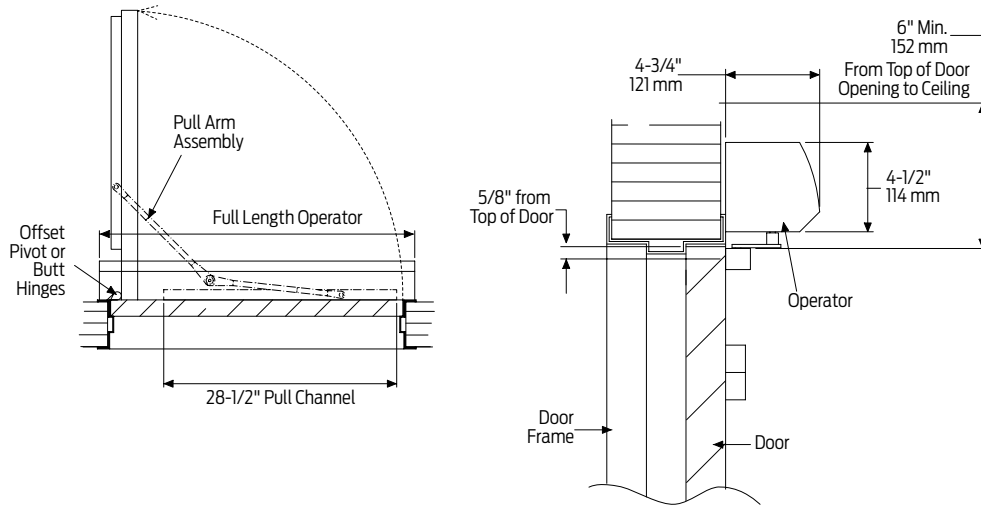
Customized installation templates or products may be available to solve unusual applications. Contact LCN Product Support for assistance.

MOUNTING					HANDING		FINISH	COVER	ARM FUNCTION			
SURFACE MOUNT SINGLE DOOR	SURFACE MOUNT SIMULTANEOUS PAIR	CONCEALED SINGLE DOOR	CONCEALED SIMULTANEOUS PAIR	CONCEALED INDEPENDENT PAIR	HANDED	NON-HANDED	STANDARD ANODIZED	METAL	STANDARD (SINGLE LEVER)	REGULAR (DOUBLE LEVER)	OFFSET EGRESS (PUSH/PULL)	CENTER PIVOT BUTT HINGE ARM
●	○	○	○	○	○	●	●	○	●	○	○	○

● AVAILABLE  
○ NOT AVAILABLE



**Offset/butt hinge, center pivot, pull, standard cover**



**Offset/butt hinge, center pivot, pull, full cover**

<b>Butt Hinges</b>	Should not exceed 5" (127 mm) in width
<b>Reveal</b>	Should not exceed 1/8" (3 mm)
<b>Head Frame</b>	Minimum 2" (51 mm)
<b>Top Rail</b>	Minimum 2" (51 mm)
<b>Opening and Closing Time</b>	<ul style="list-style-type: none"> <li>■ Variable by adjustments to the electronic control module located on the operator assembly</li> <li>■ Maximum hold open time adjustable up to approximately 30 seconds</li> </ul>
<b>System Diagram</b>	See "AUTOMATIC OPERATORS" section page 51 for typical system wiring and page 53 for electrical data
<b>Maximum Opening</b>	Template allows 90 degree power opening and 90 degree manual opening

**Notes:**

- Push 'N Go permits non-switch activation with a microprocessor control box that ensures reliability and maintains customer settings
- Power boost allows for increased closing force near latch
- On/off switch is included as standard
- All potentiometers are clearly labeled with their functions
- LED lights indicate power to control box and motor gearbox

**Motor Gearbox**



**9130-3454S**  
Motor Gearbox Assembly

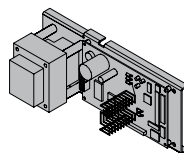
- Driving mechanism for operator (switch included)
- For 27" unit



**9130-3454**  
Motor Gearbox Assembly (W/O Switch)

- Driving mechanism for operator (switch not included)
- For full length 36" unit

**Control Box**



**9130-3462**  
Control Box (120v)

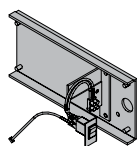
- Electronic controlling device with power supply output and power boost feature for Benchmark

**Brackets**



**9130-3018**  
Mounting Bracket

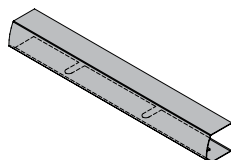
- Standard



**9130-3351-2**  
Switch Bracket

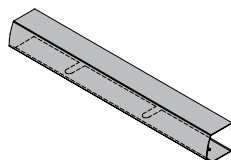
- 41" cable
- Bracket used to locate switch at end of cover on full length unit

**Covers**



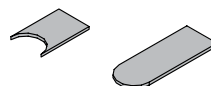
**9130-72MC**  
Metal Cover

- Non-handed
- 27"
- Extruded aluminum
- Standard



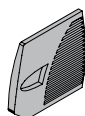
**9130-72FC**  
Full Metal Cover

- Non-handed
- 36"
- Extruded aluminum



**9130-163**  
Cover Insert

- Used to cover operator shaft opening (includes 2 pieces)



**9130-163-1**  
Cover End Cap Insert

- Used to cover switch hole opening



**9130-334**  
Cover End Cap

- Black plastic
- Includes 9130-163-1 cover and cap insert

### Tracks



**9130-3038**  
Standard Track

- Non-handed
- Standard



**9130-73**  
Track End Cap

- Black plastic



**9130-3034**  
Roller Assembly

- Quiet low friction

### Arms



**9130-3077T**  
Standard Arm

- Non-handed
- Track roller not included



**9130-3077PLCM**  
Standard Arm

- Non-handed
- Standard non-handed track

**How-to-order 9130 Series closers**

**Specify Finish**

- Standard Anodized Finish \_\_\_\_\_  
Aluminum or Dark Bronze

**Operator options**

**Cover**

- 36" Full Cover

**Operator will be shipped with:**

- Standard motor gearbox
- Standard control box
- Mounting bracket
- 27" metal cover
- Standard arm (3077t)
- Standard track w/track roller
- Wood and machine screw pack  
unless options listed below are selected

**Table of sizes**



→ Indicates recommended range of door width for operator.

*NOTE: For All Benchmark Series.  
30" minimum door width for 27" pull operator.  
36" door width only for full length pull operator.*