



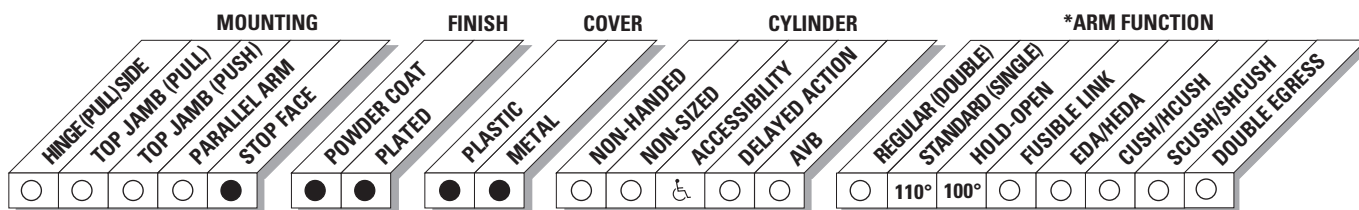
The 4110T is LCN's best performing heavy duty track closer designed specifically for interior doors in institutional and other high traffic applications.

<b>Certifications</b>	Grade 1 - ANSI A156.4, UL 10C, ADA, 100 Hour Salt Spray, Meets BAA - Buy American Act
<b>Body Construction</b>	<ul style="list-style-type: none"> <li>■ Cast Iron Body</li> <li>■ Full Complement Bearing</li> <li>■ 1-1/2" Diameter Piston</li> <li>■ 11/16" Diameter Double Heat Treated Pinion Journal</li> </ul>
<b>Fluid</b>	All Weather Fluid
<b>Handing</b>	Handed
<b>Size</b>	Adjustable Spring Size 1-5, or Sized 6. Includes Patented Green Dial
<b>Warranty</b>	30 years

<b>Cover</b>	<ul style="list-style-type: none"> <li>■ Plastic, Standard</li> <li>■ Metal, Optional</li> </ul>
<b>Fasteners</b>	Self Reaming and Tapping Screws (SRT)
<b>Mounting</b>	Stop Face (Push Side)
<b>Arms</b>	Standard Arm and Track with Roller
<b>Finishes/Colors/ Powder Coat</b>	<ul style="list-style-type: none"> <li>■ Aluminum (689)</li> <li>■ Statuary Bronze (690)</li> <li>■ Light Bronze (691)</li> <li>■ Black (693)</li> <li>■ Dark Bronze (695)</li> <li>■ Brass (696)</li> <li>■ Custom colors optional</li> </ul> <ul style="list-style-type: none"> <li>■ Optional SRI primer - powder coat only</li> <li>■ Optional plated finishes</li> </ul>

**Special Templates**

Customized installation templates or products may be available to solve unusual applications. Contact LCN Product Support for assistance.



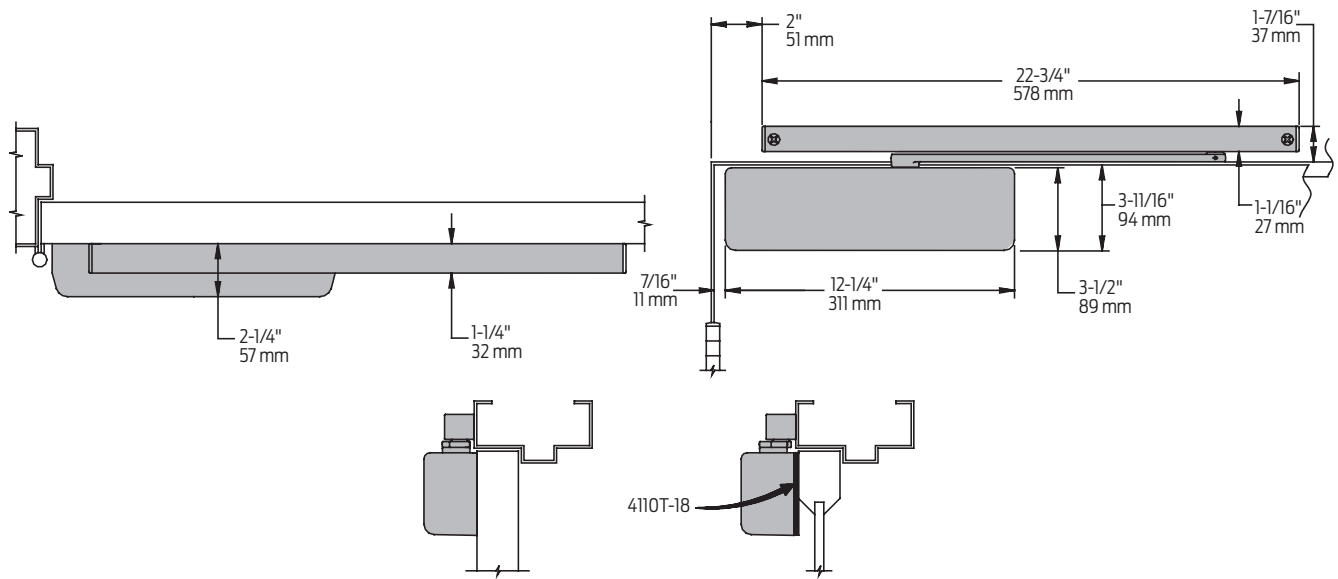
● AVAILABLE  
○ NOT AVAILABLE

♿ Closer available with less than 5.0 lbs. opening force on 36" door.  
\* Maximum opening/hold-open point with standard template.

# 4110T Series

## Mounting details

### Stop face (Push Side) Mounting

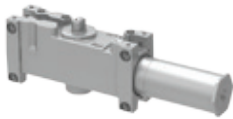


<b>Butt Hinges</b>	Should not exceed 5" (127 mm) in width
<b>Auxiliary Stop</b>	<ul style="list-style-type: none"> <li>■ Recommended at hold-open point or where a door cannot swing 110°.</li> <li>■ Optional track bumper assembly assists backcheck in cushioning the opening swing of the door</li> <li>■ It is not intended to replace an auxiliary stop</li> </ul>
<b>Clearance</b>	Projects 2-1/4" (57 mm) from face of door
<b>Top Rail</b>	<ul style="list-style-type: none"> <li>■ Less than 5-1/4" (133 mm) measured from the stop, requires PLATE, 4110T-18</li> <li>■ Plate requires 2-1/4" (57 mm) minimum</li> </ul>
<b>Stop Width</b>	Minimum 1-1/4" (32 mm)
<b>Maximum Opening</b>	<ul style="list-style-type: none"> <li>■ Templating allows 110° with standard track arm, limited to 100° with optional bumper tracks</li> <li>■ Variable hold-open angles with infinite options</li> </ul>

**Notes:**

- Many track style door closers are capable of allowing 180° of door swing
- The majority of track style closers are at their weakest closing force in the 180° – 130° range
- Consult factory for applications where door must swing 180°

### Cylinder



**4111(6)T-3071**  
Cast Iron Cylinder Assembly

- Handed
- Standard

### Covers



**4110T-72**  
Plastic Cover

- Non-handed
- Standard



**4110T-72MC**  
Metal Cover

- Handed
- Required for plated finishes and custom powder coat finishes
- Optional

### Arm



**4110T-3077T**  
Standard

- Handed
- Roller not included with arm

### Tracks



**4110T-3038**  
Standard Track

- Non-handed
- Non hold-open
- Will accept hold-open clip and/or bumper assembly
- Standard



**4110T-3038B**  
Standard Track with Bumper

- Non-handed
- Non hold-open
- With bumper assembly installed
- Will accept hold-open clip
- Optional



**4110T-3038H**  
Hold-Open Track

- Non-handed
- With hold-open clip installed
- Will accept bumper assembly
- Optional



**4110T-3038HB**  
Hold-Open Track with Bumper

- Non-handed
- With hold-open clip and bumper assembly installed
- Optional

### Installation Accessories



**4110T-18**  
Plate

- Required where top rail, when measured from the stop, is less than 5-1/4" (133 mm)
- Requires minimum 2-1/4" (57 mm) minimum top rail



**4110T-169**  
Track Bumper

- Mounts in track to assist backcheck, not replace auxiliary stop
- Limits maximum opening. Consists of bumper, bumper post, and mounting screw



**4110T-3054**  
Hold-Open Clip

- Mounts in track to provide hold-open function
- Hold-open point controlled by clip location
- Consists of clip and mounting screws
- Requires 4110T-3034H Track Roller



**4110T-3034**  
Track Roller

- Quiet, low friction roller assembly
- Shoulder dimension "X" = 1/16" (2 mm)



**4110T-3034H**  
Track Roller

- Quiet, low friction roller assembly
- Shoulder dimension "X" = 1/16" (2mm)
- Spring-loaded hold-open mechanism

### How-to-order 4110T Series closers

#### 1. Specify cylinder size

- 4111T (ADA)
- 4113T
- 4114T

#### 2. Specify hand

- RH
- LH

#### 3. Select finish

- Standard Powder Coat \_\_\_\_\_  
Aluminum, Dark Bronze, Statuary, Light Bronze, Black, Brass

#### Closer will be shipped with:

- Standard cover
- Standard arm
- Track roller
- Standard track
- Self-reaming and tapping screws  
unless options listed below are selected.

## Closer options

#### Cover

- Metal (MC)

#### Finish

- Custom Powder Coat (RAL) \_\_\_\_\_  
(handed metal cover required)
- Plated Finish, US \_\_\_\_\_  
(handed metal cover required)
- SRI primer (use with powder coat finishes only)

#### Specify Track

- Standard with Bumper (BUMPER)
- Hold-Open (HO)
- Hold-Open with Bumper (HBUMPER)

#### Specify Screw Packs

- TB\* w/Self-Reaming and Tapping (TBSRT)
- Wood & Machine Screw (WMS)
- TB\*, Wood & Machine Screw (TBWMS)
- TORX Machine Screw (TORX)
- TB\* & TORX Machine Screw (TBTRX)
- \* Specify door thickness if other than 1-3/4".

#### Installation Accessories

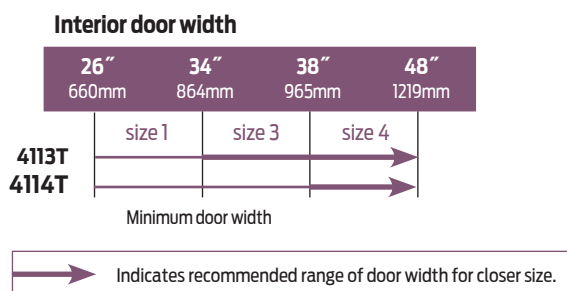
- Plate, 4110T-18

#### Special Template

- ST- \_\_\_\_\_

## Table of sizes

- Select closer based on width of door
- Sized 4110T series cylinders available in size 1, 3 or 4
- Closing power of all 4110T Series closers may be increased 15%
- Specify next higher size closer where strong drafts exist



### Reduced opening force 4110T Series closers

**CAUTION!** Any manual door closer, including those certified by BHMA to conform to ANSI Standard A156.4, that is selected, installed and adjusted based on ADA or other reduced opening force requirements may not provide sufficient power to reliably close and latch a door.

Refer to POWER OPERATORS section for information on systems that meet reduced opening force requirements without effecting closing power.

	DOOR WIDTH	36"	42"	48"
	8.5* lbs.	N/A	N/A	N/A
	5.0* lbs.	4111T	4111T	4111T

\* Maximum opening force.