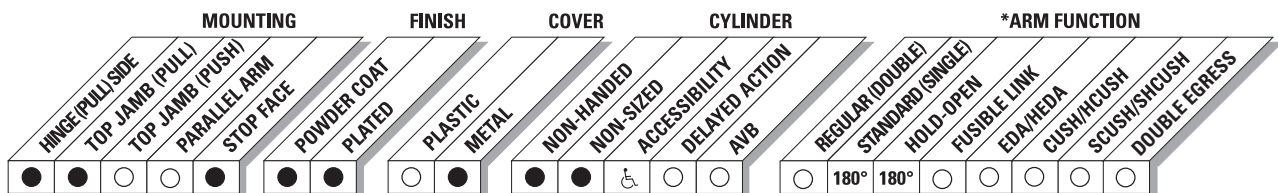


The 4031T is a single lever (track) arm, surface mounted closer designed for interior use on narrow head frames and top rails. The choice of three mountings and ease of installation offer a versatile solution to door control in moderate traffic applications. The 4030T compliments the heavy duty 4000 Series.

Certifications	Grade 1 - ANSI A156.4, UL 10C, ADA, 100 Hour Salt Spray, Meets BAA - Buy American Act	Cover	Metal, Standard
Body Construction	<ul style="list-style-type: none"> ■ Cast Iron Body ■ Full Complement Bearing ■ 1-1/8" Diameter Piston ■ 1/2" Diameter Single Heat Treated Pinion Journal 	Fasteners	Self Reaming and Tapping Screws (SRT)
Fluid	All Weather Fluid	Mounting	Pull side on door, pull side on frame and push side on door
Handing	Non-Handed	Arms	Standard arm and track
Size	Adjustable Spring Size 1-3	Finishes/Colors/Powder Coat	<ul style="list-style-type: none"> ■ Aluminum (689) ■ Statuary Bronze (690) ■ Light Bronze (691) ■ Black (693) ■ Dark Bronze (695) ■ Brass (696) ■ Custom colors optional
Warranty	30 years		<ul style="list-style-type: none"> ■ Optional SRI primer - powder coat only ■ Optional plated finishes

Special Templates

Customized installation templates or products may be available to solve unusual applications. Contact LCN Product Support for assistance.



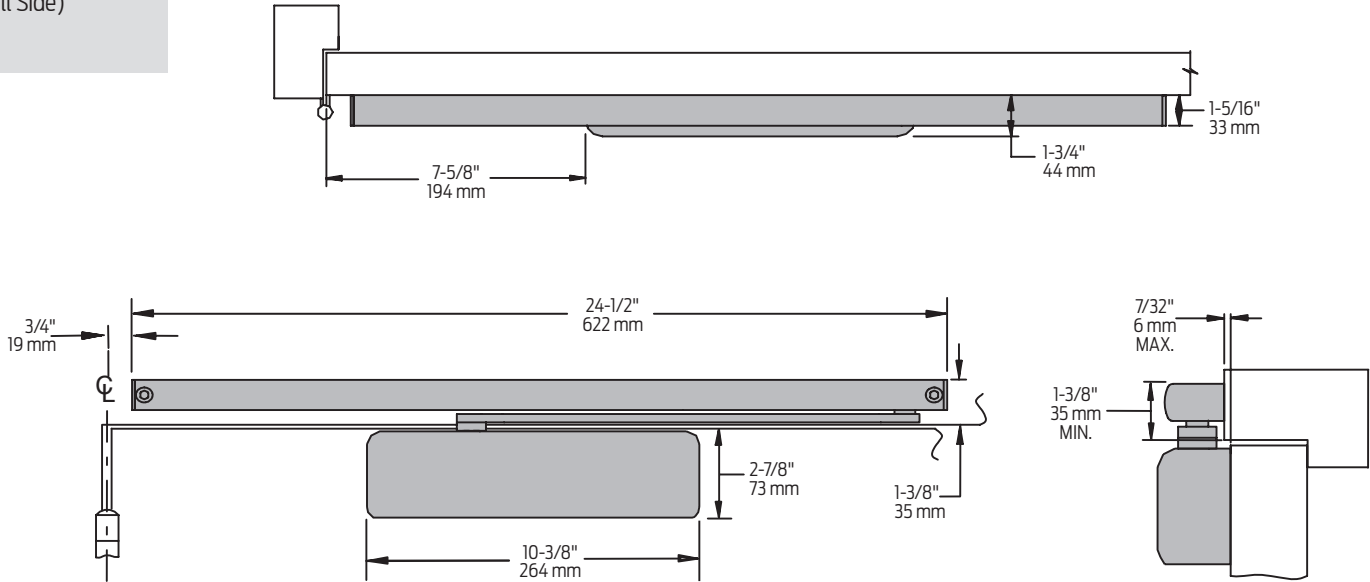
● AVAILABLE
○ NOT AVAILABLE

♿ Closer available with less than 5.0 lbs. opening force on 36" door.
* Maximum opening/hold-open point with standard template. See individual closer series for degrees of opening per installation.

4030T Series

Mounting details

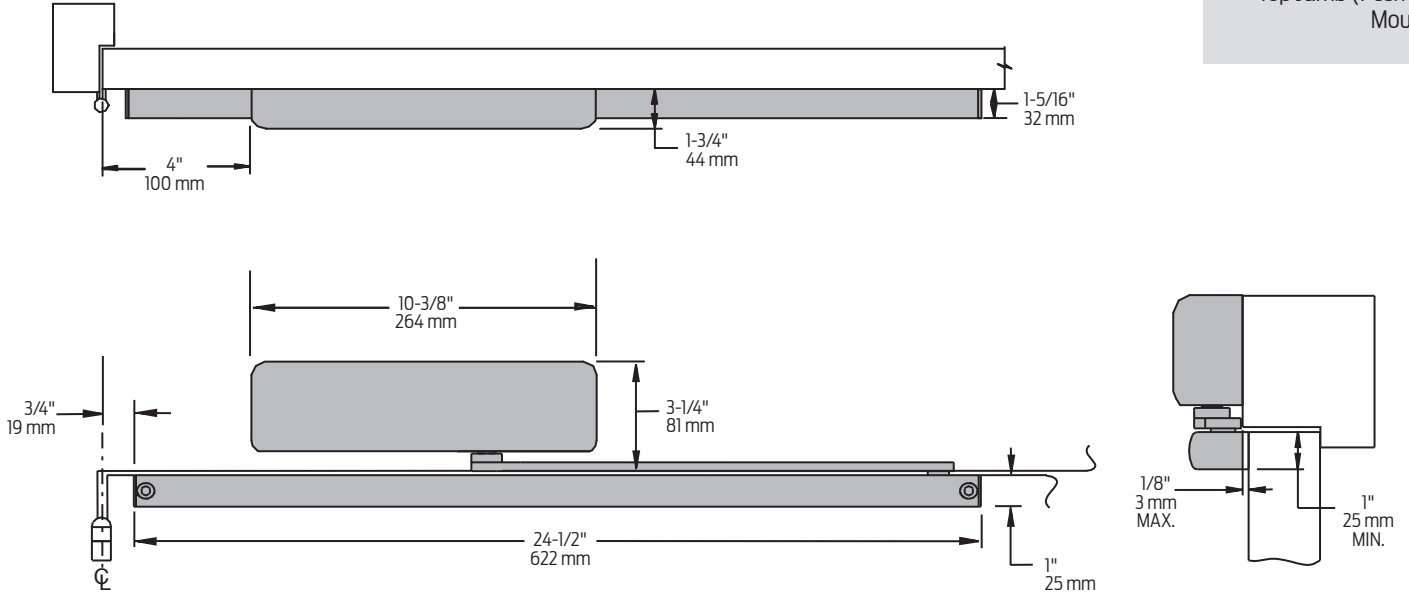
Hinge (Pull Side) Mounting



Butt Hinges	Should not exceed $5''$ (127 mm) in width
Auxiliary Stop	Recommended at hold-open point or where a door cannot swing 180°
Reveal	Should not exceed $7/32''$ (6 mm)
Top Rail	Requires $2\frac{7}{8}''$ (73 mm) minimum
Clearance	$1\frac{3}{4}''$ (44 mm), behind door required for installation
Maximum Opening	<ul style="list-style-type: none"> ■ Can be templated for 180° ■ Consult factory if door will be held open at 180° ■ Hold-open points up to maximum opening point with hold-open option

Notes:

- Many track style door closers are capable of allowing 180° of door swing.
- The majority of track style closers are at their weakest closing force in the 180° - 130° range.
- Consult factory for applications where door must swing 180° .



Butt Hinges	Should not exceed 5" (127 mm) in width
Auxiliary Stop	Recommended at hold-open point or where the door cannot swing 180°
Reveal	Should not exceed 1/8" (3 mm)
Top Rail	Requires 1" (25 mm) minimum
Head Frame	Requires 2-7/8" (73 mm) minimum
Maximum Opening	<ul style="list-style-type: none"> ■ Can be templated for 180° ■ Consult factory if door will be held open at 180° ■ Hold-open points up to Maximum opening point with hold-open option

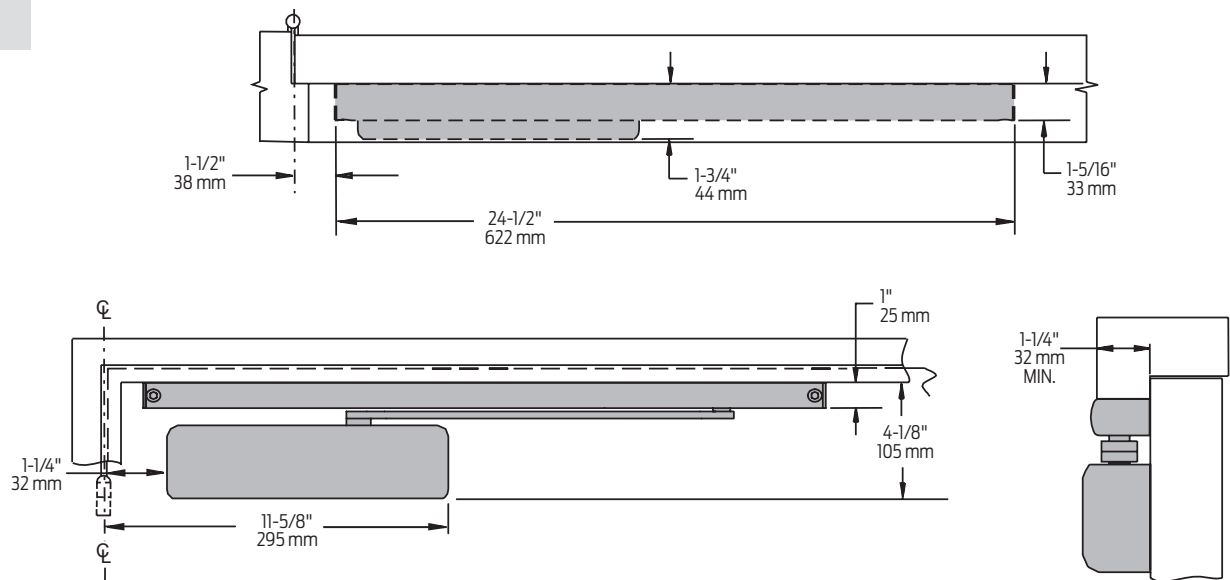
Notes:

- Many track style door closers are capable of allowing 180° of door swing.
- The majority of track style closers are at their weakest closing force in the 180°-130° range.
- Consult factory for applications where door must swing 180°

4030T Series

Mounting details

Stop Face (Push) Side Mounting



Butt Hinges	Should not exceed 5" (127 mm) in width
Auxiliary Stop	Recommended at hold-open point or where a door cannot swing 110°
Reveal	Should not exceed 1-3/4" (44 mm)
Top Rail	Requires 4-1/8" (105 mm) minimum measured from the stop
Head Frame	Minimum 1-1/4" (32 mm)
Maximum opening	<ul style="list-style-type: none"> ■ Can be templated for 110° ■ Hold-open points up to maximum opening with hold-open option

Notes:

- Many track style door closers are capable of allowing 180° of door swing.
- The majority of track style closers are at their weakest closing force in the 180°-130° range.
- Consult factory for applications where door must swing 180°.

Cylinders



4031T-3071
Cast Iron Cylinder Assembly

- Non-handed
- Standard

Covers



4030T-72MC
Metal Cover

- Non-handed

Arms



4030T-3077T
Standard Arm

- Non-handed
- Single lever mounts hinge side, top jamb or stop face
- Track roller included

Tracks



4030T-3038
Standard Track

- Non-handed
- Non hold-open track mounts on either side of the door
- Will accept hold-open track
- Standard



4030T-3038H
Hold-Open Track

- Non-handed
- Hold-open track mounts on either side of the door
- Comes with 4030T-3054 Hold-open clip
- Optional

Installation Accessories



4030T-3054
Hold-Open Clip

- Mounts in track to provide hold-open function
- Hold-open point controlled by clip location
- Requires 4030T-3034H

How-to-order 4030T Series closers

1. Select finish

- Standard Powder Coat _____
Aluminum, Dark Bronze, Statuary,
Light Bronze, Black, Brass.

Closer options

Finish

- Custom Powder Coat (RAL) _____
- Plated Finish, US _____
- SRI primer (use with powder coat finishes only)

Track

- Hold-open (H)

Closer will be shipped with:

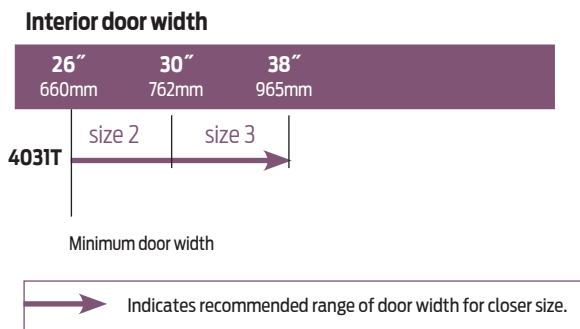
- Standard cylinder
- Standard metal cover
- Standard track
- Standard arm
- Track roller
- Wood and self-tapping machine screw pack unless options listed below are selected.

Optional Screw Packs

- TB*, Wood & Machine Screw (TBWMS)

Table of sizes

- Non-sized 4031T cylinder is adjustable from sizes 1 to 3 and is shipped set to size 3.



Reduced opening force 4030T Series closers

CAUTION! Any manual door closer, including those certified by BHMA to conform to ANSI Standard A156.4, that is selected, installed and adjusted based on ADA or other reduced opening force requirements may not provide sufficient power to reliably close and latch a door.

Refer to AUTOMATIC OPERATORS section for information on systems that meet reduced opening force requirements without effecting closing power.

	DOOR WIDTH	36"	42"	48"
	8.5* lbs.	N/A	N/A	N/A
	5.0* lbs.	4031T	4031T	4031T

* Maximum opening force.