

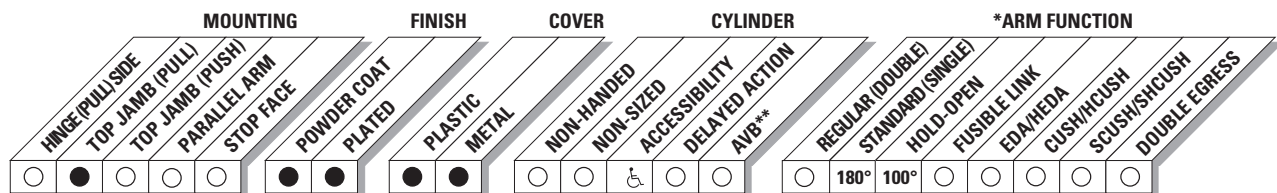


The 4020T is LCN's best performing heavy duty track closer designed specifically for interior doors in institutional and other high traffic applications.

Certifications	Grade 1 - ANSI A156.4, UL 10C, ADA, 100 Hour Salt Spray, Meets BAA - Buy American Act	Cover	<ul style="list-style-type: none"> ■ Plastic, Standard ■ Metal, Optional
Body Construction	<ul style="list-style-type: none"> ■ Cast Iron Body ■ Full Complement Bearing ■ 1-1/2" Diameter Piston ■ 11/16" Diameter Double Heat Treated Pinion Journal 	Fasteners	Self Reaming and Tapping Screws (SRT)
Fluid	All Weather Fluid	Mounting	Top Jamb (Pull Side)
Handing	Handed	Arms	Standard arm, track with roller
Templating	Peel-n-Stick templates - 2-1/2" x 6" Mounting Hole Pattern	Finishes/Colors/ Powder Coat	<ul style="list-style-type: none"> ■ Aluminum (689) ■ Statuary Bronze (690) ■ Light Bronze (691) ■ Black (693) ■ Dark Bronze (695) ■ Brass (696) ■ Custom colors optional
Size	Sized 1, 3 or 4		<ul style="list-style-type: none"> ■ Optional SRI primer - powder coat only ■ Optional plated finishes
Warranty	30 years		

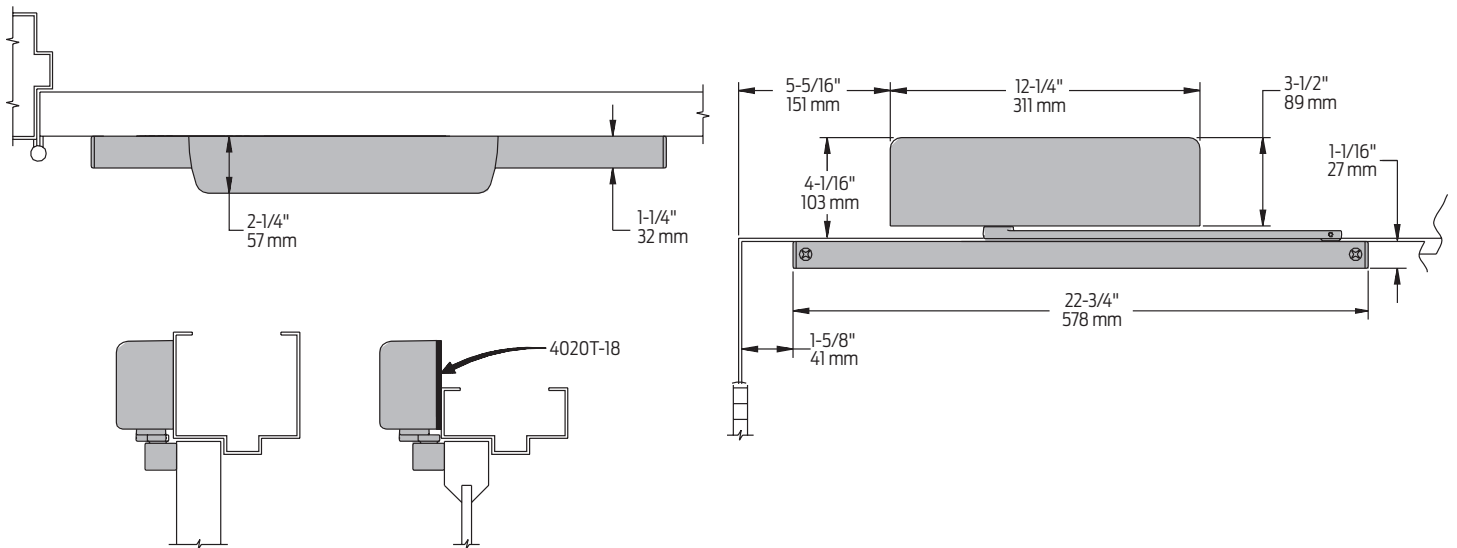
Special Templates

Customized installation templates or products may be available to solve unusual applications. Contact LCN Product Support for assistance.



● AVAILABLE
○ NOT AVAILABLE

♿ Closer available with less than 5.0 lbs. opening force on 36" door.
* Maximum opening/hold-open point with standard template.
** Advanced Variable Backcheck.

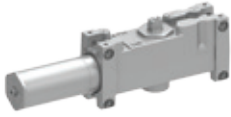


Butt Hinges	Should not exceed 5" (127 mm) in width
Auxiliary Stop	Recommended at hold-open point or where a door cannot swing 180° <i>Note: Optional track bumper assembly assists backcheck in cushioning the opening swing of the door. It is not intended to replace an auxiliary stop</i>
Reveal	Should not exceed 1/8" (3 mm)
Head Frame	<ul style="list-style-type: none"> ■ Less than 3-7/8" (98 mm), requires PLATE, 4020T-18 ■ Plate requires 1-3/4" (44 mm) minimum
Clearance	1-1/2" (38 mm) behind door required for 90° or 180° installation
Maximum Opening	<ul style="list-style-type: none"> ■ Templating allows 180° with standard track arm, limited to 100° with optional bumper installed ■ Consult factory if door will be held open at 180° ■ Variable hold-open angles with infinite options

Notes:

- Many track style door closers are capable of allowing 180° of door swing
- The majority of track style closers are at their weakest closing force in the 180° – 130° range
- Consult factory for applications where door must swing 180°

Cylinders



- 4021T(3)(4)-3071**
Cast Iron Cylinder Assembly
- Handed
 - Standard

Covers



Right Hand Shown

- 4020T-72**
Plastic Cover
- Handed
 - Standard



Left Hand Shown

- 4020T-72MC**
Metal Cover
- Handed
 - Required for plated finishes and custom powder coat finishes
 - Optional

Arms



- 4020T-3077T**
Standard Arm
- Handed
 - Roller not included with arm

Tracks



- 4020T-3038**
Standard Track
- Non-handed
 - Non hold-open
 - Will accept hold-open clip and/or bumper assembly
 - Standard



- 4020T-3038B**
Standard Track with Bumper
- Non-handed
 - Non hold-open
 - With bumper assembly installed
 - Will accept hold-open clip
 - Optional



- 4020T-3038H**
Hold-Open Track
- Non-handed
 - With hold-open clip installed
 - Will accept bumper assembly
 - Optional



- 4020T-3038HB**
Hold-Open Track with Bumper
- Non-handed
 - With hold-open clip and bumper assembly installed
 - Optional

Installation Accessories



4020T-18
Plate

- Required where head frame is less than 3-7/8" (98 mm)
- Requires minimum 1-3/4" (44 mm) frame face



4020T-169
Track Bumper

- Mounts in track to assist backcheck, does not replace auxiliary stop
- Limits maximum opening
- Consists of bumper, bumper post, and mounting screw



4020T-3054
Hold-Open Clip

- Mounts in track to provide hold-open function
- Hold-open point controlled by clip location
- Consists of clip and mounting screws
- Requires 4020T-3034H Track Roller



4020T-3034
Track Roller

- Quiet, low friction roller assembly
- Shoulder dimension "X" = 1/16" (2mm)



4020T-3034H
Track Roller

- Quiet, low friction roller assembly
- Shoulder dimension "X" = 1/16" (2mm)
- Spring-loaded hold-open mechanism

How-to-order 4020T Series closers

1. Select cylinder size

- 4021T (ADA)
- 4023T
- 4024T

2. Specify hand

- RH
- LH

3. Select finish

- Standard Powder Coat _____
Aluminum, Dark Bronze, Statuary,
Light Bronze, Black, Brass.

Closer will be shipped with:

- Standard cylinder
- Standard cover
- Standard arm
- Track roller
- Standard track
- Self-reaming and tapping screws unless options listed below are selected.

Closer options

Cover

- Metal (MC)

Track

- Standard with Bumper (BUMPER)
 - Hold-Open (HO)
 - Hold-Open with Bumper (HBUMPER)

Finish

- Custom Powder Coat (RAL) _____
(handed metal cover required)
- Plated Finish, US _____
(handed metal cover required)
- SRI primer (use with powder coat finishes only)

Screw Pack

- TB* & SRT Screw (TBSRT)
- Wood & Machine Screw (WMS)
- TB*, Wood & Machine Screw (TBWMS)
- TORX Machine Screw (TORX)
- TB* & TORX Machine Screw (TBTRX)
* Specify door thickness if other than 1-3/4"

Installation Accessories

- Plate, 4010T-18

Special Template

- ST- _____

Table of sizes

- Select closer based on width of door
- 4020T Series cylinders available in size 1, 3 or 4
- Closing power of all 4020T Series closers may be increased 15%
- Specify next higher size closer where strong drafts exist

