

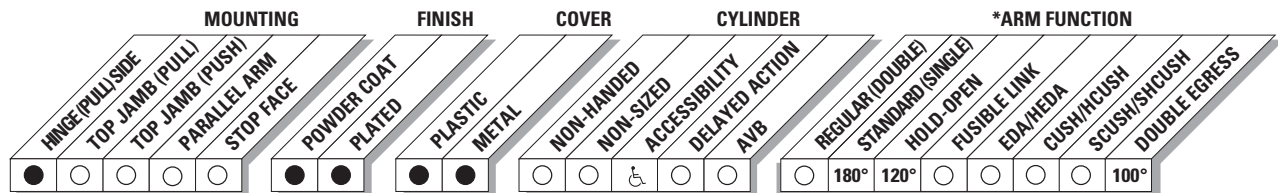


The 4010T is LCN's best performing heavy duty track closer designed specifically for interior doors in institutional and other rugged high traffic applications.

<b>Certifications</b>	Grade 1 - ANSI A156.4, UL 10C, ADA, 100 Hour Salt Spray, Meets BAA - Buy American Act	<b>Cover</b>	<ul style="list-style-type: none"> <li>Plastic, Standard</li> <li>Metal, Optional</li> </ul>
<b>Body Construction</b>	<ul style="list-style-type: none"> <li>Cast Iron Body</li> <li>Full Complement Bearing</li> <li>1-1/2" Diameter Piston</li> <li>11/16" Diameter Double Heat Treated Pinion Journal</li> </ul>	<b>Fasteners</b>	Self Reaming and Tapping Screws (SRT)
<b>Fluid</b>	All Weather Fluid	<b>Mounting</b>	Hinge (Pull Side)
<b>Handing</b>	Handed	<b>Arms</b>	Standard Arm and Track with Roller
<b>Templating</b>	Peel-n-Stick templates - 2-1/2" x 6" Mounting Hole Pattern	<b>Finishes/Colors/ Powder Coat</b>	<ul style="list-style-type: none"> <li>Aluminum (689)</li> <li>Statuary Bronze (690)</li> <li>Light Bronze (691)</li> <li>Black (693)</li> <li>Dark Bronze (695)</li> <li>Brass (696)</li> <li>Custom colors optional</li> </ul>
<b>Size</b>	Sized 1, 3 or 4		<ul style="list-style-type: none"> <li>Optional SRI primer - powder coat only</li> <li>Optional plated finishes</li> </ul>
<b>Warranty</b>	30 years		

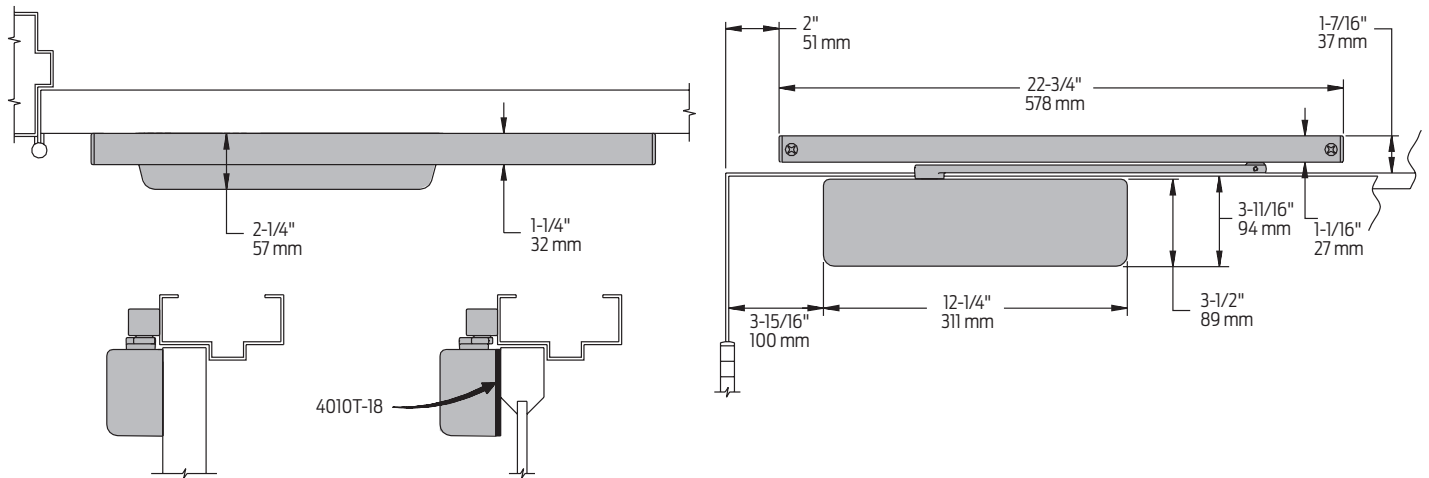
**Special Templates**

Customized installation templates or products may be available to solve unusual applications. Contact LCN Product Support for assistance.



● AVAILABLE  
○ NOT AVAILABLE

♿ Closer available with less than 5.0 lbs. Opening force @ 36"  
\* Maximum opening/hold-open point with standard template.



<b>Butt Hinges</b>	Should not exceed 5" (127 mm) in width
<b>Auxiliary Stop</b>	Recommended at hold-open point or where a door cannot swing 180° <i>Note: Optional track bumper assembly assists backcheck in cushioning the opening swing of the door. It is not intended to replace an auxiliary stop</i>
<b>Reveal</b>	<ul style="list-style-type: none"> <li>■ Should not exceed 1/8" (3 mm) for standard arm</li> <li>■ Should not exceed 3-5/16" (84 mm) for double egress arm</li> </ul>
<b>Top Rail</b>	<ul style="list-style-type: none"> <li>■ Less than 3-3/4" (95 mm) requires PLATE, 4010T-18</li> </ul> <i>Note: Plate requires 2" (51 mm) minimum</i>
<b>Head Frame</b>	Requires 1-1/2" (38 mm) minimum
<b>Clearance</b>	<ul style="list-style-type: none"> <li>■ 2-1/4" (57 mm) behind door required for 90° or 180° installation</li> </ul>
<b>Maximum Opening</b>	<ul style="list-style-type: none"> <li>■ Templating allows 180° with standard arm, limited to 120° when optional bumper is installed</li> <li>■ Consult factory if door will be held open at 180°</li> <li>■ Variable hold-open angles with infinite options</li> </ul>

**Notes:**

- Many track style door closers are capable of allowing 180° of door swing
- The majority of track style closers are at their weakest closing force in the 180 – 130° range
- Consult factory for applications where door must swing 180°

### Cylinders



**4011T(3)(4)-3071**  
Cast Iron Cylinder Assembly

- Handed
- Standard

### Covers



**4010T-72**  
Plastic Cover

- Non-handed
- Standard



*Right Hand Shown*

**4010T-72MC**  
Metal Cover

- Handed
- Required for plated finishes and custom powder coat finishes
- Optional

### Arms



**4010T-3077T**  
Standard Arm

- Handed
- Does not include track roller



**4010T-3077DE**  
Double Egress Arm

- Handed
- For double egress doors and frames
- Does not include track roller
- Maximum reveal is 3 5/16" (84mm)
- Optional

### Tracks



**4010T-3038**  
Standard Track

- Non-handed
- Non hold-open
- Will accept hold-open clip and/or bumper assembly
- Standard



**4010T-3038B**  
Standard Track with Bumper

- Non-handed
- Non hold-open
- With bumper assembly installed
- Will accept hold-open clip
- Optional



**4010T-3038H**  
Hold-Open Track

- Non-handed
- With hold-open clip installed
- Will accept bumper assembly
- Optional



**4010T-3038HB**  
Hold-Open Track with Bumper

- Non-handed
- With hold-open clip and bumper assembly installed
- Optional

### Installation Accessories



**4010T-18**  
Plate

- Required where top rail is less than 3-3/4" (95 mm)
- Requires minimum 2" (51 mm) top rail



**4010T-169**  
Track Bumper

- Mounts in track to assist backcheck, does not replace auxiliary stop
- Limits maximum opening
- Consists of bumper, bumper post, and mounting screw



**4010T-3054**  
Hold-Open Clip

- Mounts in track to provide hold-open function)
- Hold-open point controlled by clip location
- Consists of clip and mounting screws
- Requires 4010T-3034H Track Roller



**4010T-3034**  
Track Roller

- Quiet, low friction roller assembly
- Shoulder dimension "X" = 1/16" (2mm)



**4010T-3034H**  
Track Roller

- Quiet, low friction roller assembly
- Shoulder dimension "X" = 1/16" (2mm)
- Spring-loaded hold-open mechanism

**How-to-order 4010T Series closers**

**1. Select cylinder size**

- 4011T (ADA)
- 4013T
- 4014T

**2. Specify hand**

- RH
- LH

**3. Select finish**

- Standard Powder Coat \_\_\_\_\_  
Aluminum, Dark Bronze, Statuary,  
Light Bronze, Black, Brass.

**Closer will be shipped with:**

- Standard cylinder
- Standard cover
- Standard arm
- Track roller
- Standard track
- Self-reaming and tapping screws unless options listed below are selected.

**Closer options**

**Cover**

- Metal (MC)

**Arm**

- Double Egress (DE)\*\*

**Track**

- Regular with Bumper (BUMPER)
- Hold-Open (HO)
- Hold-Open with Bumper (HBUMPER)

**Finish**

- Custom Powder Coat (RAL) \_\_\_\_\_  
(handed metal cover required)
- Plated Finish, US \_\_\_\_\_  
(handed metal cover required)
- SRI primer (use with powder coat finishes only)

**Screw Pack**

- TB\* & SRT Screw (TBSRT)
- Wood & Machine Screw (WMS)
- TB\*, Wood & Machine Screw (TBWMS)
- TORX Machine Screw (TORX)
- TB\* & TORX Machine Screw (TBTRX)  
\* Specify door thickness if other than 1-3/4"

**Installation Accessories**

- Plate, 4010T-18

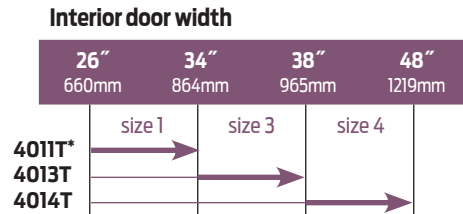
**Special Template**

- ST- \_\_\_\_\_

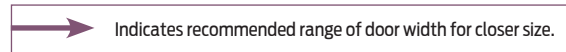
\*\* Note: Using this closer on double-egress doors and frames requires the closer to be ordered with a "DE" suffix (i.e., 4014T DE). Standard "DE" option will accommodate pull side reveals up to 3-5/16". For deeper reveals, consult factory.

**Table of sizes**

- Select closer based on width of door
- Sized 4010T Series cylinders available in size 1, 3 or 4
- Closing power of all 4010T Series closers may be increased 15%



Minimum door width. To meet ADA, refer to chart below.




\*\* Note: Using this closer on double-egress doors and frames requires the closer to be ordered with a "DE" suffix (i.e., 4014T DE). Standard "DE" option will accommodate pull side reveals up to 3-5/16". For deeper reveals, consult factory.

**Reduced opening force 4010T Series closers**

**CAUTION!** Any manual door closer, including those certified by BHMA to conform to ANSI Standard A156.4, that is selected, installed and adjusted based on ADA or other reduced opening force requirements may not provide sufficient power to reliably close and latch a door.

Refer to AUTOMATIC OPERATORS section for information on systems that meet reduced opening force requirements without effecting closing power.

	DOOR WIDTH	36"	42"	48"
	8.5* lbs.	N/A	N/A	N/A
	5.0* lbs.	4011T	4011T	4011T

\* Maximum opening force.