



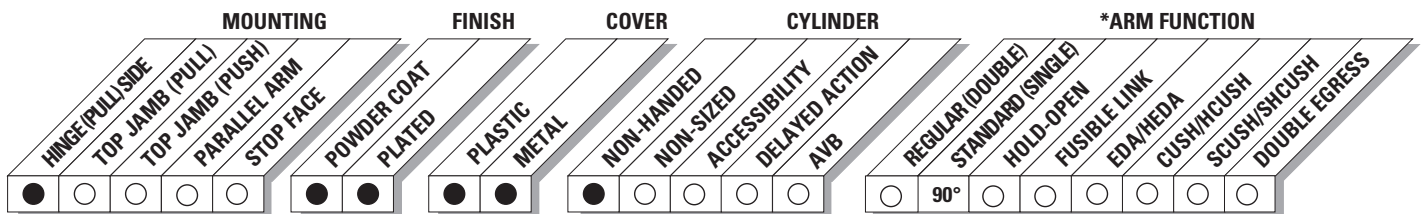
The 400T is a heavy duty closer to reliably control fire and smoke barrier doors with maximum swing of 90°. Designed for use with an SEM 7850 wall magnet.

Certifications	Grade 1 - ANSI A156.4, UL 10C, ADA, 100 Hour Salt Spray, Meets BAA - Buy American Act
Body Construction	<ul style="list-style-type: none"> ■ Cast Iron Body ■ Full Complement Bearing ■ 1-1/2" Diameter Piston ■ 3/4" Diameter Double Heat Treated Pinion Journal
Fluid	All Weather Fluid
Handing	Non-Handed
Size	Sized 3 or 4
Warranty	30 years

Cover	<ul style="list-style-type: none"> ■ Plastic, Standard ■ Metal, Optional
Fasteners	Wood and machine screw pack
Mounting	In a wall pocket, hinge side
Arms	Standard Arm and Track with Roller
Finishes/Colors/ Powder Coat	<ul style="list-style-type: none"> ■ Aluminum (689) ■ Statuary Bronze (690) ■ Light Bronze (691) ■ Black (693) ■ Dark Bronze (695) ■ Brass (696) ■ Custom colors optional
	<ul style="list-style-type: none"> ■ Optional SRI primer - powder coat only ■ Optional plated finishes

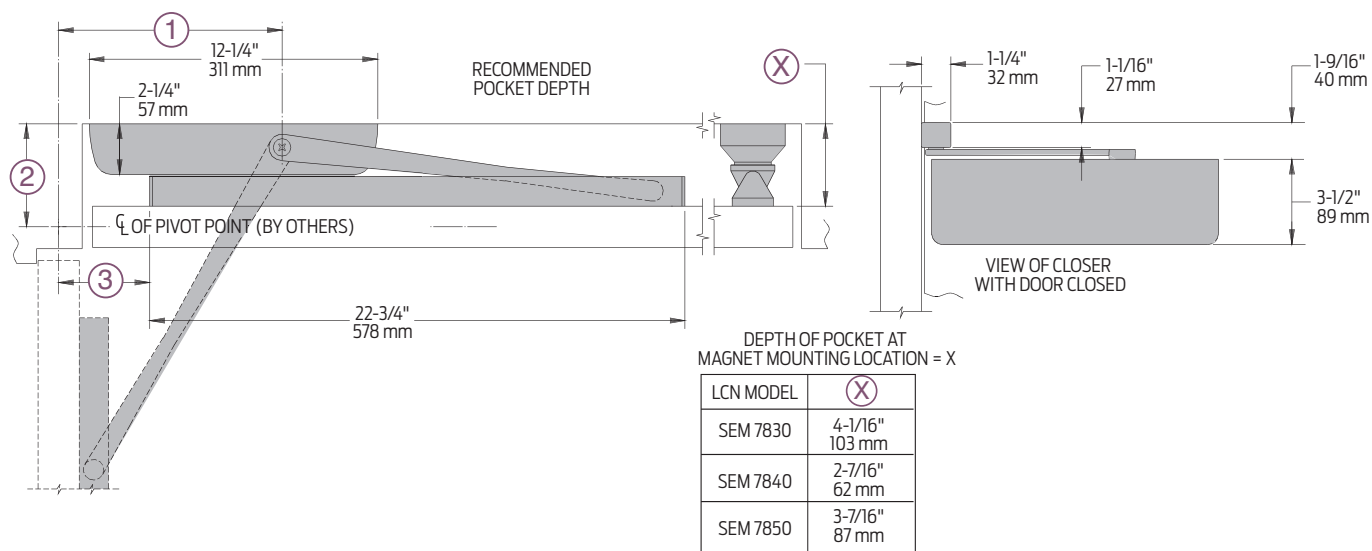
Special Templates

Customized installation templates or products may be available to solve unusual applications. Contact LCN Product Support for assistance.



● AVAILABLE
○ NOT AVAILABLE

* Maximum opening/hold-open point with standard template.

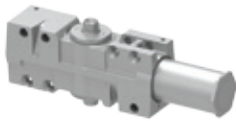


Butt Hinges	<ul style="list-style-type: none"> ■ Pocket Pivot, Total Door Hinge or Center Pivot are door mounting options ■ Should not exceed 5" (127 mm)
Pocket Depth	<ul style="list-style-type: none"> ■ See above table for distance required between door and closer mounting location ■ This dimension is measured from the cylinder mounting surface to the pull side face of the door at 90°
Wall Magnet	<ul style="list-style-type: none"> ■ SEM 7850 is recommended. Use of other magnets may require special construction to alter the depth of the pocket at the magnet location ■ See Fire Life Safety Section
Dimension 1	<ul style="list-style-type: none"> ■ The distance from the centerline of the closer shaft to the centerline of the hinge or pivot ■ For pocket pivot or total door hinge, 9-1/2" (241 mm) ■ For butt hinge 8" (203 mm) ■ For center pivot 10" (254 mm)
Dimension 2	<ul style="list-style-type: none"> ■ The distance from the centerline of the pivot or hinge to the cylinder mounting surface ■ For pocket pivot 4-1/2" (114 mm) ■ For total door hinge 3-7/8" (98 mm) ■ For butt hinge 2-7/8" (73 mm) ■ For center pivot 4-1/2" (114 mm)
Dimension 3	<ul style="list-style-type: none"> ■ The distance from the centerline of the pivot or hinge to end of the track ■ For pocket pivot or total door hinge, 3-7/8" (98 mm) ■ For butt hinge 2-3/8" (60 mm) ■ For center pivot 4-5/8" (117 mm)
Maximum Opening	<ul style="list-style-type: none"> ■ Templating allows 90° only ■ Hold-open point 90° with magnet

Notes:

- Cylinder mounts on wall
- Track mounts on hinge side of door

Cylinder



4003(4)T-3071
Cast Iron Cylinder Assembly

- Non-handed
- Standard

Covers



4000T-72
Plastic Cover

- Non-handed
- Standard



4000T-72MC
Metal Cover

- Handed
- Required for plated and custom powder coat finishes
- Optional

Arm



4000T-3077T
Standard Arm

- Non-handed
- Roller not included with arm

Tracks



4000T-3038
Standard Track

- Non-handed
- Non hold-open
- Will not accept hold-open clip or bumper assembly
- Standard



4000T-3034
Track Roller

- Quiet, low friction roller assembly
- Shoulder Dimension "X" = 1/8" (3 mm)

How-to-order 4000T Series closers

1. Select cylinder size

- 4003T
- 4004T

2. Select finish

- Standard Powder Coat _____
Aluminum, Dark Bronze, Statuary, Light Bronze, Black, Brass

Closer will be shipped with:

- Standard cylinder
- Standard cover
- Standard arm
- Track roller
- Standard track
- Self-reaming and tapping screws unless options listed below are selected.

Closer options

Cover

- Metal (MC)

Finish

- Custom Powder Coat (RAL) _____
(handed metal cover required)
- Plated Finish, US _____
(handed metal cover required)
- SRI primer (use with powder coat finishes only)

Specify Screw Packs

- TB*, Wood & Machine Screw (TBWMS)
- TORX Machine Screw (TORX)
- TB* & TORX Machine Screw (TBTRX)
* Specify door thickness if other than 1-3/4".

Special Template

- ST- _____

Table of sizes

- Select closer based on width of door
- 4000T Series cylinders available in size 3 or 4
- Closing power of 4000T Series closers is not adjustable

