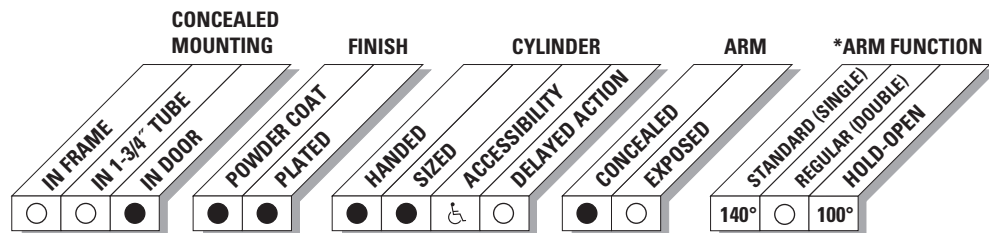


The concealed 3130 Series is designed to mount in a 1-3/4" interior door. The single lever arm and roller assembly provides complete concealment and the choice of finishes and track functions meet virtually all architectural requirements.

Certifications	Grade 1 - ANSI A156.4, UL 10 C, ADA, 100 Hour Salt Spray, Meets BAA - Buy American Act	Fasteners	Wood Screws and Torx Security Screws (optional)
Body Construction	<ul style="list-style-type: none"> ■ Cast Iron Body ■ Full Complement Bearing ■ 1-1/8" Diameter Piston ■ 1/2" Diameter Double Heat Treated Pinion Journal 	Mounting	Concealed (in door); consult factory for installation with pivots
Fluid	All Weather Fluid	Arms	Standard arm and track
Handing	Handed	Finishes/Colors/Powder Coat	<ul style="list-style-type: none"> ■ Aluminum (689) ■ Statuary Bronze (690) ■ Light Bronze (691) ■ Black (693) ■ Dark Bronze (695) ■ Brass (696) ■ Custom colors optional
Size	Sized 1-3		<ul style="list-style-type: none"> ■ Optional SRI primer - powder coat only ■ Optional plated finishes
Warranty	15 years		

Special Templates

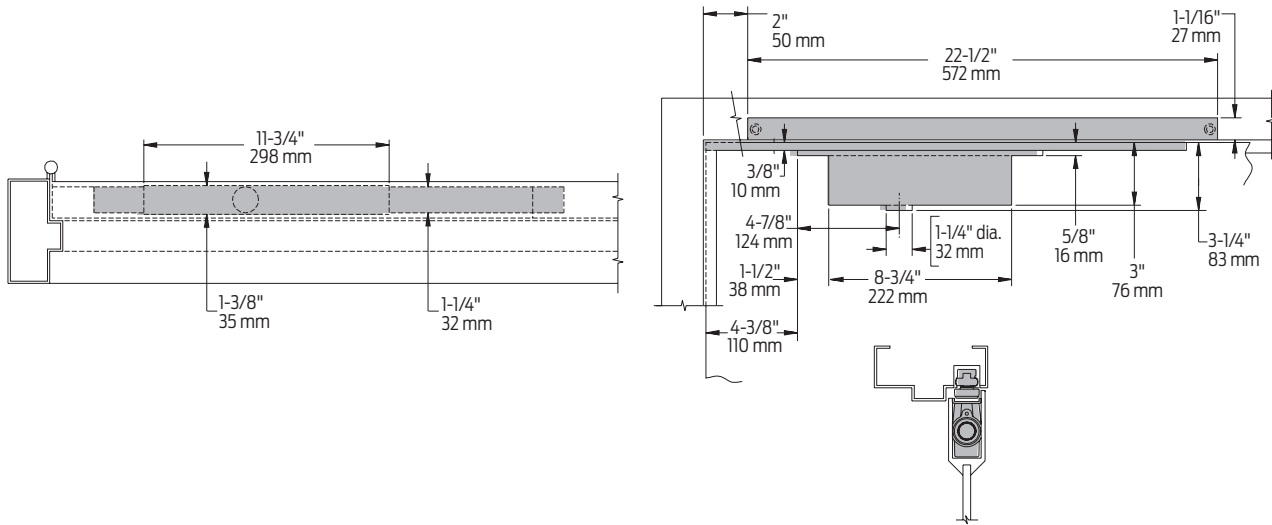
Customized installation templates or products may be available to solve unusual applications. Contact LCN Product Support for assistance.



● AVAILABLE
○ NOT AVAILABLE

♿ Closer available with less than 5.0 lbs. opening force on 36" door.

* Maximum opening/hold-open point with standard template. See individual closer series for degrees of opening per installation.



Butt Hinges	Should not exceed 5" (127 mm) in width
Auxiliary Stop	<ul style="list-style-type: none"> Recommended at hold-open point or where a door cannot swing 140° Optional track bumper assembly assists backcheck in cushioning the opening swing of the door. It is not intended to replace an auxiliary stop
Top Rail	Minimum 4" (102 mm) required
Door Thickness	<ul style="list-style-type: none"> 1-3/4" (44 mm) minimum. Please consult the door manufacturer to assure that the door integrity and warranty is maintained after installing the 3130 Series door closer in a 1-3/4" thick wood door
Door Width	2'2" (660 mm) minimum
Maximum opening	<ul style="list-style-type: none"> Templating allows 140°, trim permitting. 100° with optional bumper installed Adjustable hold-open points from 85° to 100°, with hold-open track

Notes:

- For interior doors
- Single acting cylinder and standard arm in top rail of door
- Concealed track in head frame
- Consult factory for installations with pivots.

Cylinder



3131(2)(3)-3071
Cast Iron Cylinder Assembly

- Handed
- With mounting plate
- Standard

Arm



3130-3077T
Standard Arm

- Handed
- Track roller not included with arm
- Standard

Tracks



3130-3038
Track

- Non-handed
- Non hold-open
- Will accept hold-open clip and/or bumper assembly
- Standard



3130-3038B
Standard Track with Bumper

- Non-handed
- Non hold-open
- Will accept hold-open clip
- Optional



3130-3038H
Hold-Open track

- Non-handed
- Will accept bumper assembly
- Optional



3130-3038HB
Hold-Open Track with Bumper

- Non-handed
- Optional

Installation Accessories



3130-169
Track Bumper

- Mounts in track to assist backcheck, does not replace auxiliary stop
- Limits maximum opening
- Consists of bumper, bumper post, and mounting screw



3130-3054
Hold-Open Clip

- Mounts in track to provide hold-open function
- Hold-open point controlled by clip location
- Requires 3130-3034H Hold-Open Track Roller



3130-3034
Track Roller

- Quiet, low friction roller assembly
- Shoulder dimension "X" = 1/8" (3mm)



3130-3034H
Hold-Open Track Roller

- Quiet, low friction roller assembly
- Shoulder dimension "X" = 1/8" (3mm)

How-to-order 3130 Series closers

Select cylinder size

- 3131
- 3132
- 3133

Select hand

- RH
- LH

Specify finish

- Standard Powder Coat _____
Aluminum, Dark Bronze, Statuary, Light Bronze, Black, Brass.

Closer will be shipped with:

- Standard cylinder with mounting bracket
- Standard arm with finish plate
- Standard track
- Wood and machine screw pack unless options listed below are selected.

Closer options

Track

- Standard with Bumper (BUMPER)
- Hold-open (H)
- Hold-open with Bumper (HBUMPER)

Finishes

- Custom Powder Coat (RAL) _____
- Plated Finish, US _____
- SRI primer (use with powder coat finishes only)

Screw pack

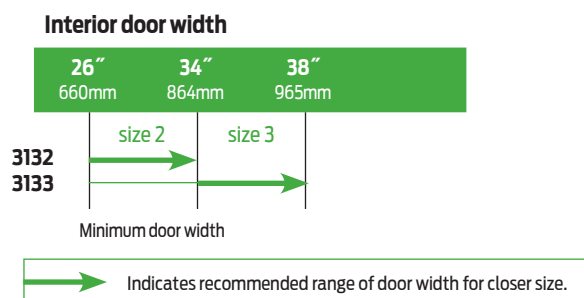
- TORX Machine Screw (TORX)

Special template

- ST- _____

Table of sizes

- Select closer based on width of door.
- 3130 Series cylinders available in size 1, 2, or 3.
- Closing power of 3130 Series closers is not adjustable




Reduced opening force 3130 Series closers

CAUTION! Any manual door closer, including those certified by BHMA to conform to ANSI Standard A156.4, that is selected, installed and adjusted based on ADA or other reduced opening force requirements may not provide sufficient power to reliably close and latch a door.

Refer to POWER OPERATORS section for information on systems that meet reduced opening force requirements without affecting closing power.

* Maximum opening force.

	DOOR WIDTH	36"	42"	48"
	8.5* lbs.	N/A	N/A	N/A
	5.0* lbs.	3131	3131	3132