

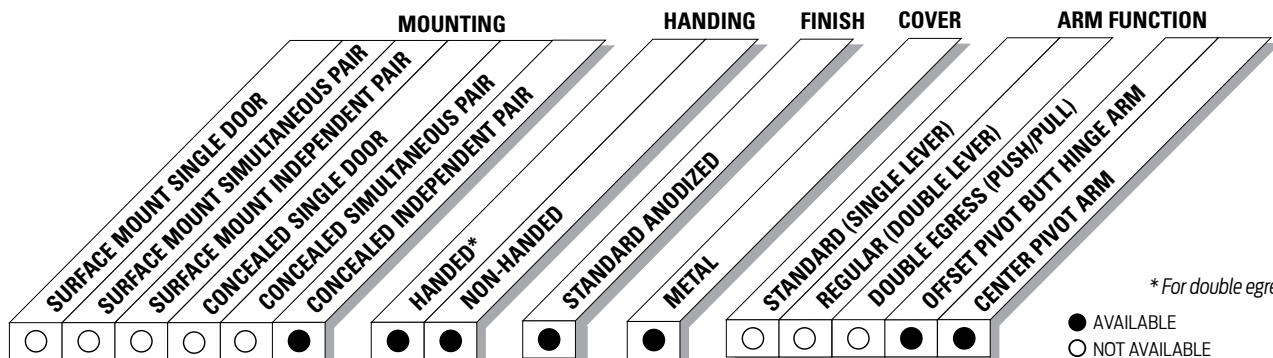


The 2860 SENIOR SWING by LCN is an ADA door operator that is a two-in-one swing door operator. SENIOR SWING operator when activated, opens doors automatically for wheelchair access, yet allows for manual operation for regular pedestrian traffic.

Certifications	Grade 1 - ANSI A156.19, UL325/228, UL1998, ADA, 100 Hour Salt Spray, Meets BAA - Buy American Act	Fasteners	Wood and machine screw packs
Handing	Handed	Mounting	Independent pair, overhead concealed, center pivot, offset pivot, butt hinge
Door Width	<ul style="list-style-type: none"> ■ Minimum combined door with 52" - 96" ■ Simultaneous pair - width per leaf 26" minimum to 48" maximum 	Arms	Offset Pivot Arm or Center Pivot Arm
Warranty	2 years	Finishes/Colors/ Powder Coat	<ul style="list-style-type: none"> ■ Anodized Aluminum ■ Anodized Dark Bronze

**Special
Templates**

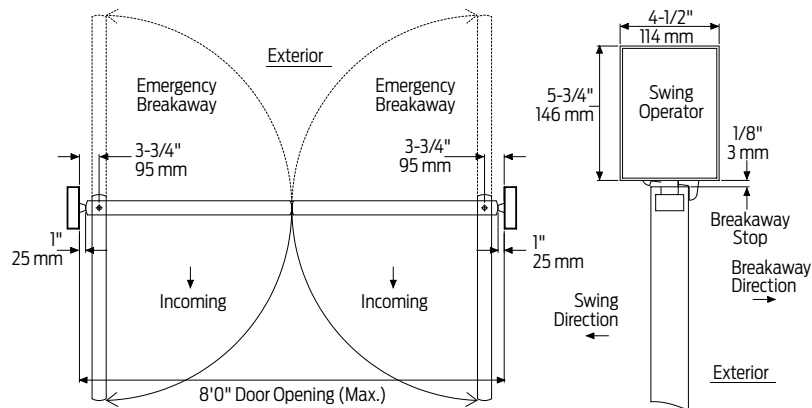
Customized installation templates or products may be available to solve unusual applications. Contact LCN Product Support for assistance.



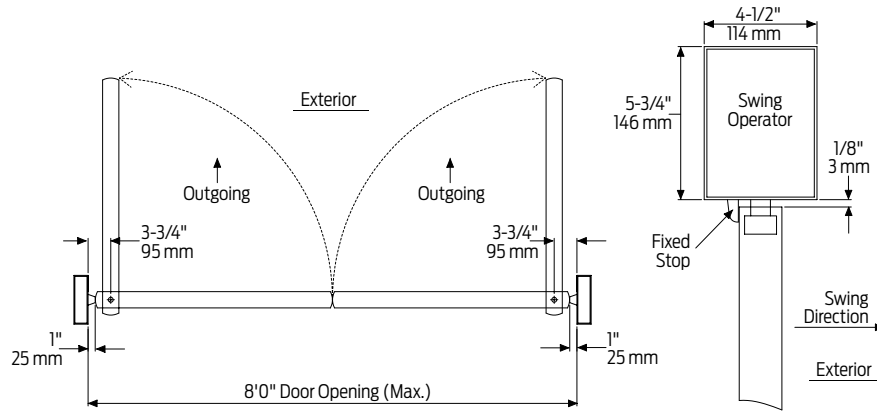
2860 Series Senior Swing

Mounting details

Concealed Independent Pair



Center pivot, emergency breakaway, pull
Shown w/ 3-3/4" pivot

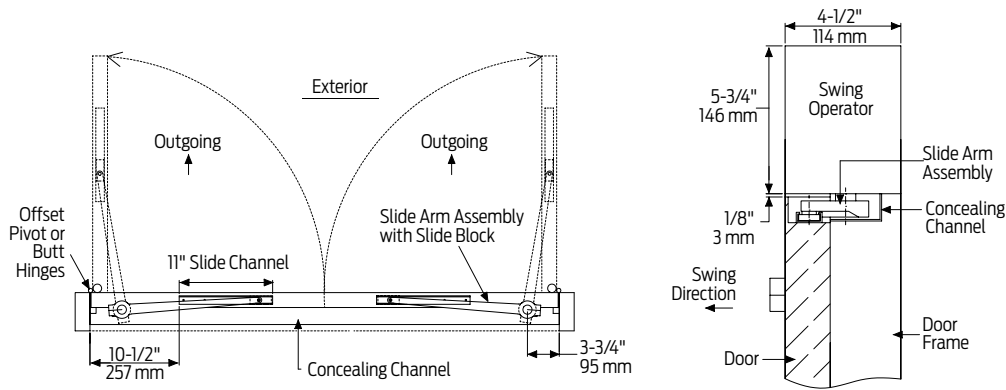


Center pivot, fixed stop, push
Shown w/ 3-3/4" pivot

Head Frame	Minimum 65" (L) x 5 3/4" (H) x 4 1/2" (W) (1651 mm x 146 mm x 114 mm)
Top Rail	Minimum 2" (51 mm)
Opening and Closing Time	<ul style="list-style-type: none"> ■ Variable by adjustments to the electronic control box ■ Maximum hold open time adjustable up to approximately 32 seconds.
Door Stop	Required for each door panel
System Diagram	See "AUTOMATIC OPERATORS" section page 51 for typical system wiring and page 53 for electrical data
Maximum Opening	Template allows 90 degree power opening and 90 degree manual opening

Note:

- Push N' Go permits non-switch activation with power boosts providing additional latching force
- Electromechanical unit with microprocessor control
- Digital keypad for easy setup
- 72" header length is standard. Specify other length 65" - 98" max. Consult factory with this option
- Adjustable hold time of 1-32 seconds
- Actuators available separately, see pages 115-131



Offset pivot/butt hinge, push

Head Frame	Minimum 65" (L) x 5-3/4" (H) x 4-1/2" (W) (1651 mm x 146 mm x 114 mm)
Top Rail	Minimum 2" (51 mm)
Opening and Closing Time	<ul style="list-style-type: none"> ■ Variable by adjustments to the electronic control box ■ Maximum hold open time adjustable up to approximately 32 seconds
Door Stop	Required for each door panel
System Diagram	See "AUTOMATIC OPERATORS" section page 51 for typical system wiring and page 53 for electrical data
Maximum Opening	Template allows 90 degree power opening and 90 degree manual opening

Notes:

- Offset pivot installations require a bottom pivot and two intermediate pivots
- Push N' Go permits non-switch activation with power boosts providing additional latching force
- Electromechanical unit with microprocessor control
- Digital keypad for easy setup
- 72" header length is standard. Specify other length 65" - 98" max. Consult factory with this option
- Optional fixed (POS) or breakaway stop (BKY) available (center pivot arm)
- Header lengths 70" - 98" max with either POS or BKY
- Adjustable hold time of 1-32 seconds
- Actuators available separately, see pages 115-131

Motor Gearbox



2860-3454
Motor gearbox

- Senior swing
- Handed
- Driving mechanism for operator
- Provides maximum 15 lbs opening force

Mount Brackets



2860-375
Mounting Bracket

- Motor gearbox mounting bracket for 3-3/4" offset pivot, butt hinge or center pivot with finger guard installations
- Front bracket



2860-275
Mounting Bracket

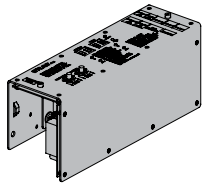
- Motor gearbox mounting bracket for 2-3/4" center pivot installations
- Front bracket



2860-3018
Rear Mounting Bracket

- Motor gearbox mounting bracket
- Rear bracket

Control Box



2860-3462
Control box

- Electronic controlling device for Senior Swing

Header



2860-3572HL
Mounting Header

- Pair door, two operators
- Specify length 65" to 98" maximum
- Standard

End Cap



2860-334
Header End Caps

- With openings for wiring

Arms



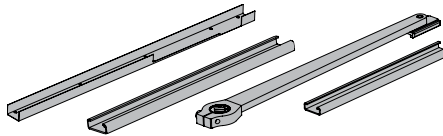
2860-3077CP
Center Pivot Arm

- Center pivot installations only
- Used with overhead concealed operators and center pivoted doors



2860-3077OP
Offset Pivot Arm

- Offset pivot or butt hung installations only
- Used with overhead concealed operators



2860-3077OPCM
Offset Pivot Arm Assembly

- Offset arm with track and concealing channel
- Includes 3072 Concealing Channel, 168 Slide Channel and 3077OP offset pivot arm

Channels



2860-3072
Concealing Channel

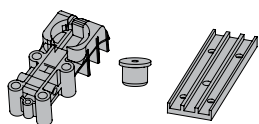
- Used to conceal arm in overhead concealed applications
- For offset pivot installations only
- If ordering separately specify length and hand



2860-168
Slide Channel

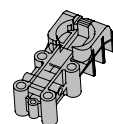
- Offset pivot or butt hinge installations only
- Mounts in top rail of door
- Allows arm to slide

Pivots



2860-3107
Bottom Pivot Assembly

- Includes pivot body, pivot post and bottom pivot plate
- For overhead concealed, center pivoted installations
- Includes: 2860-107, 2860-110 and 2860-117



2860-107
Bottom Pivot Body

- Pivot body for center pivoted installations



2860-110
Pivot Post

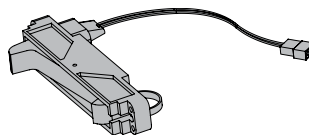
- Connects pivot body to bottom pivot plate for center pivoted installations



2860-117
Bottom Pivot Plate

- Applied to floor for center pivoted installations

Installation Accessories



2860-384B
Door Stop Breakaway

- Allows in-swinging door to swing out in case of emergency
- For center pivoted installations only



2860-384F
Door Stop Fixed

- Prevents out-swinging door from swinging in
- For center pivoted installations only



2860-12
Filler Plate Blank

- Completes length of header box



2860-11A
Spindle Plate

- Hides bottom of motor gearbox
- Completes header box
- Cutout allows for motor gearbox shaft
- For 2-3/4" center pivot installations



2860-11B
Spindle Plate

- Hides bottom of motor gearbox
- Completes header box
- Cutout allows for motor gearbox shaft
- For 3-3/4" offset pivot, butt hinge or center pivot with finger guard installations

2860 Series Senior Swing

Ordering Information

How-to-order 2860 Series

Select installation type

- 2863

Specify arm

- 3-3/4" (Offset pivoted) Arm (3077OP)
- 2-3/4" (Center pivoted) Arm (3077CP)
- 3-3/4" (Center pivoted) Arm (3077CP)

Specify hand

- RH
- LH

Specify header/length

- HL_ (Specify length 65" to 98")

Specify finish

- Standard Anodized Finish _____
Aluminum or Dark Bronze

Operator will be shipped with:

- Standard motor gearbox (1 LH & 1 RH)
- Standard control box (2 ea)
- Header (at specified length - 72" standard)
- 2-3/4" pivot point
- Wood and machine screw pack
unless options listed below are selected.

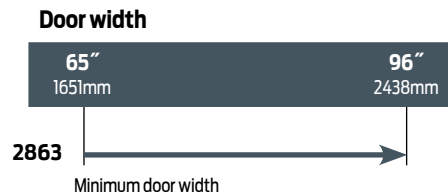
Operator options


Stops*

- Pair Positive Mechanical Stop (POS)
- Pair Panic Breakaway Stop (BKY)

*Available with Center Pivoted installations only

Table of sizes



 Indicates recommended range of door width for operator.

NOTE: For all Senior Swing Series

Independent Pair – Width per leaf 32-1/2" minimum to 48" maximum