

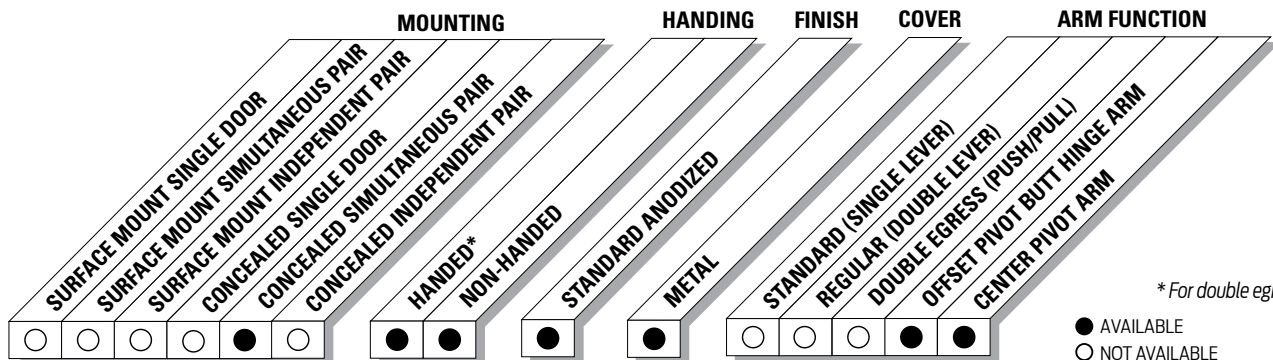


The 2850 SENIOR SWING by LCN is an ADA door operator that is a two-in-one swing door operator. SENIOR SWING operator when activated, opens doors automatically for wheelchair access, yet allows for manual operation for regular pedestrian traffic.

<b>Certifications</b>	Grade 1 - ANSI A156.19, UL325, UL1998, ADA, 100 Hour Salt Spray, Meets BAA - Buy American Act	<b>Fasteners</b>	Wood and machine screw pack
<b>Fluid</b>	All Weather Fluid	<b>Mounting</b>	Double door, overhead concealed, center pivot, offset pivot, butt hinge
<b>Handing</b>	Handed	<b>Arms</b>	Offset Pivot Arm or Center Pivot Arm
<b>Door Width</b>	<ul style="list-style-type: none"> <li>■ Combined width min 52" - 96"</li> <li>■ Simultaneous pair - width per leaf 26" minimum to 48" maximum</li> </ul>	<b>Finishes/Colors/ Powder Coat</b>	<ul style="list-style-type: none"> <li>■ Anodized Aluminum</li> <li>■ Anodized Dark Bronze</li> </ul>
<b>Warranty</b>	2 years		

**Special  
Templates**

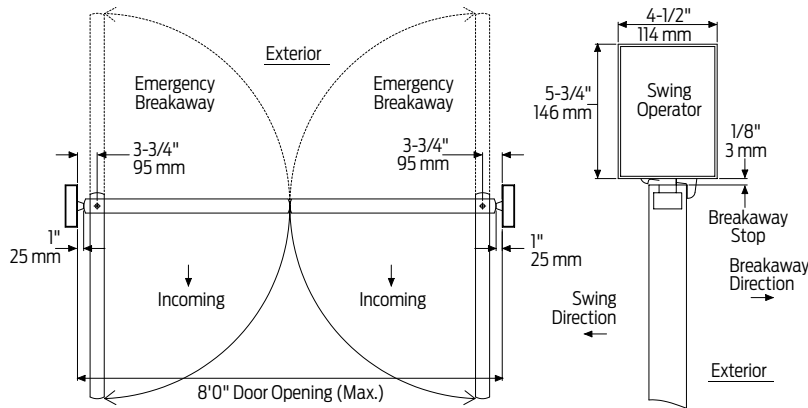
Customized installation templates or products may be available to solve unusual applications. Contact LCN Product Support for assistance.



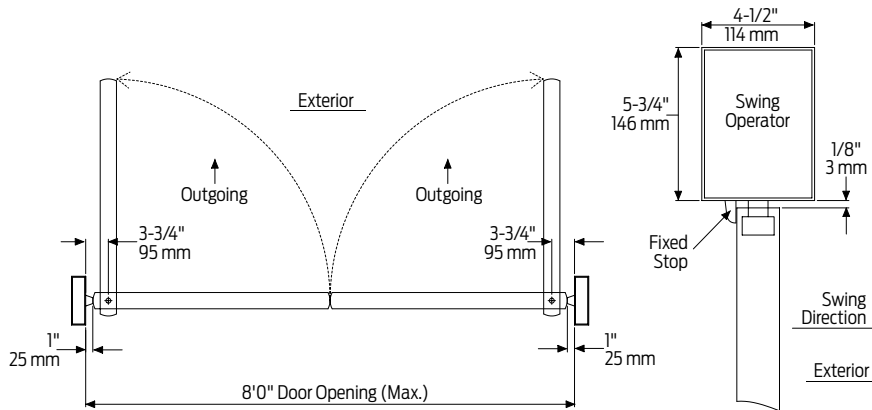
# 2850 Series Senior Swing

Mounting details

Concealed Simultaneous Pair



**Center pivot, emergency breakaway, pull**  
Shown w/ 3-3/4" pivot

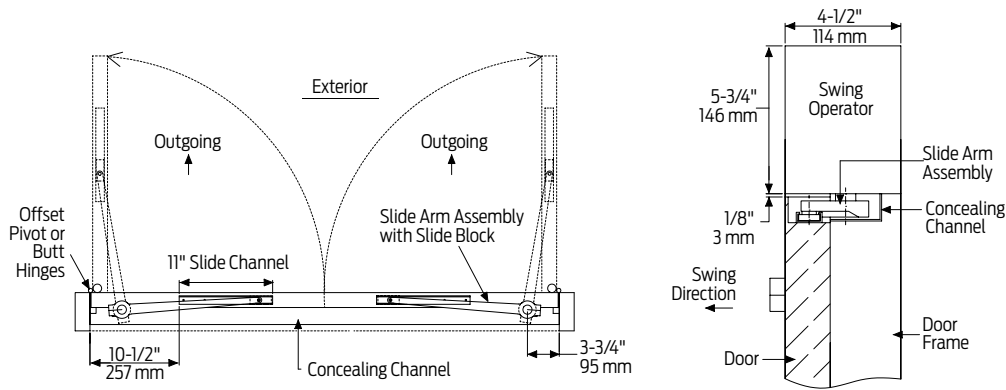


**Center pivot, fixed stop, push**  
Shown w/ 3-3/4" pivot

<b>Head Frame</b>	Minimum 52" (L) x 5-3/4" (H) x 4-1/2" (W) (1524 mm x 146 mm x 114 mm)
<b>Top Rail</b>	Minimum 2" (51 mm)
<b>Opening and Closing Time</b>	<ul style="list-style-type: none"> <li>Variable by adjustments to the electronic control box</li> <li>Maximum hold open time adjustable up to approximately 32 seconds.</li> </ul>
<b>Door Stop</b>	Required for each door panel
<b>System Diagram</b>	See "AUTOMATIC OPERATORS" section page 51 for typical system wiring and page 53 for electrical data
<b>Maximum Opening</b>	Template allows 90 degree power opening and 90 degree manual opening

**Notes:**

- Push N' Go permits non-switch activation with power boost providing additional latching force
- Electromechanical unit with microprocessor control
- 36" header length is standard, specify length 33" - 49" max
- Double header available 98", specify length 49" - 98" max
- Fixed (positive) or breakaway stop available with center pivot arm
- Adjustable hold open time of 1-32 seconds
- Actuators available separately, see pages 115-131



**Offset pivot or butt hinge, slide arm, push**  
Shown w/ 3-3/4" pivot

<b>Head Frame</b>	Minimum 52" (L) x 5-3/4" (H) x 4-1/2" (W) (1524 mm x 146 mm x 114 mm)
<b>Top Rail</b>	Minimum 2" (51 mm)
<b>Opening and Closing Time</b>	<ul style="list-style-type: none"> <li>■ Variable by adjustments to the electronic control box</li> <li>■ Maximum hold open time adjustable up to approximately 32 seconds</li> </ul>
<b>Door Stop</b>	Required for each door panel
<b>System Diagram</b>	See "AUTOMATIC OPERATORS" section page 51 for typical system wiring and page 53 for electrical data
<b>Maximum Opening</b>	Template allows 90 degree power opening and 90 degree manual opening

*Notes:*

- Push N' Go permits non-switch activation with power boost providing additional latching force
- Electromechanical unit with microprocessor control
- 36" header length is standard, specify length 33" - 49" max
- Double header available 98", specify length 49" - 98" max
- Fixed (positive) or breakaway stop available with center pivot arm
- Adjustable hold open time of 1-32 seconds
- Actuators available separately, see pages 115-131

**Motor Gearbox**



**2850-3454  
Motor Gearbox**

- Senior swing
- Driving mechanism for operator
- Provides maximum 15 lbs opening force
- Handed

**Mount Brackets**



**2850-375  
Mounting Bracket**

- Motor gearbox mounting bracket for 3-3/4" offset pivot, butt hinge or center pivot with finger guard installations
- Front bracket



**2850-275  
Mounting Bracket**

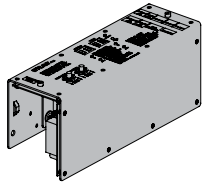
- Motor gearbox mounting bracket for 2-3/4" center pivot installations
- Front bracket



**2850-3018  
Rear Mounting Bracket**

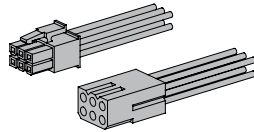
- Motor gearbox mounting bracket
- Rear bracket

**Control Box**



**2850-3462  
Control box**

- Senior swing
- Electronic controlling device for Senior Swing



**2850-982  
Companion Cable**

- Cable that allows one control box to run two motor gearboxes
- For use with Senior Swing

**Header**



**2850-3572HL  
Header**

- Mounting header
- Pair door, two operators
- Specify length 52" to 98" maximum
- Standard

**End Cap**



**2850-334  
Header End Caps**

- End cap with openings for wiring

**Arms**



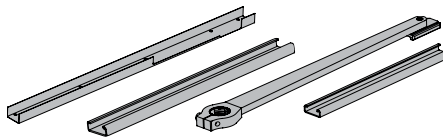
**2850-3077CP  
Center pivot arm**

- Center pivot installations only
- Used with overhead concealed operators and center pivoted doors



**2850-3077OP  
Offset pivot arm**

- Offset pivot or butt hung installations only
- Handed
- Used with overhead concealed operators



**2850-3077OPCM  
Offset Pivot Arm Assembly**

- Offset arm with track and concealing channel
- Includes 3072 Concealing Channel, 168 Slide Channel and 3077OP offset pivot arm

## Channels



**2850-3072**  
Concealing Channel

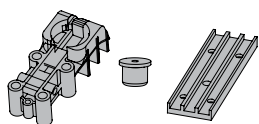
- Used to conceal arm in overhead concealed applications
- For offset pivot installations only
- If ordering separately specify length and hand



**2850-168**  
Slide Channel

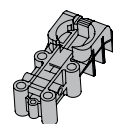
- Offset pivot or butt hinge installations only
- Mounts in top rail of door
- Allows arm to slide

## Pivots



**2850-3107**  
Bottom Pivot Assembly

- Includes pivot body, pivot post and bottom pivot plate
- For overhead concealed, center pivoted installations
- Includes: 2850-107, 2850-110 and 2850-117



**2810-107**  
Bottom Pivot Body

- Pivot body for center pivoted installations



**2850-110**  
Pivot Post

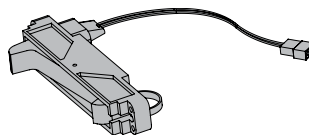
- Connects pivot body to bottom pivot plate for center pivoted installations



**2850-117**  
Bottom Pivot Plate

- Applied to floor for center pivoted installations

## Installation Accessories



**2850-384B**  
Door Stop Breakaway

- Allows in-swinging door to swing out in case of emergency
- For center pivoted installations only



**2850-384F**  
Door Stop Fixed

- Prevents out-swinging door from swinging in
- For center pivoted installations only



**2850-12**  
Filler Plate Blank

- Completes length of header box



**2850-11A**  
Spindle Plate

- Hides bottom of motor gearbox
- Completes header box
- Cutout allows for motor gearbox shaft
- For 2-3/4" center pivot installations



**2850-11B**  
Spindle Plate

- Hides bottom of motor gearbox
- Completes header box
- Cutout allows for motor gearbox shaft
- For 3-3/4" offset pivot, butt hinge or center pivot with finger guard installations

**How-to-order 2850 Series**

**Select installation type**

- 2853

**Specify arm**

- 3-3/4" (Offset pivoted) Arm (3077OP)
- 2-3/4" (Center pivoted) Arm (3077CP)
- 3-3/4" (Center pivoted) Arm (3077CP)

**Specify hand**

- RH
- LH

**Specify header/length**

- HL\_ (Specify length 52" to 98")

**Specify finish**

- Standard Anodized Finish \_\_\_\_\_  
Aluminum or Dark Bronze

**Operator will be shipped with:**

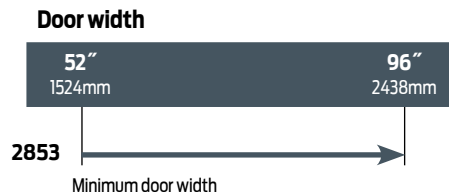
- Standard motor gearbox (1 LH & 1 RH)
- Standard control box
- Companion cable
- Header (at specified length - 72" standard)
- 2-3/4" pivot point
- Wood and machine screw pack  
unless options listed below are selected.

**Operator options**

**Stops\***

- Pair Positive Mechanical Stop (POS)
  - Pair Panic Breakaway Stop (BKY)
- \*Available with Center Pivoted installations only*

**Table of sizes**



→ Indicates recommended range of door width for operator.

*NOTE: For all Senior Swing Series  
Simultaneous Pair – Width per leaf 26" minimum to 48" maximum.*