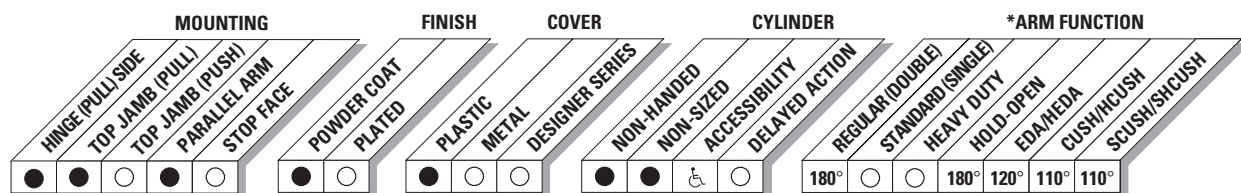


The 1260 is a light to medium duty cast iron closer designed to fit into the most common commercial foot print. The 1260 is adjustable for spring sizes 1-5. The 1260 also features a complete line of regular and extra duty arms, LCN's peel-n-stick installation templates, a convenient spring adjust pointer, and an optional Quick Fix™ bracket kit.

Certifications	Grade 1 - ANSI A156.4, UL 10C, ADA, 100 Hour Salt Spray, Meets BAA - Buy American Act	Cover	<ul style="list-style-type: none"> ■ Slim Line Cover, Optional
Body Construction	<ul style="list-style-type: none"> ■ Cast Iron Body ■ Full Complement Bearing ■ 1-3/8" Diameter Piston ■ 5/8" Diameter Single Heat Treated Pinion Journal 	Fasteners	Self Reaming and Tapping Screws (SRT)
Fluid	All Weather Fluid	Mounting	Hinge (Pull Side), Top Jamb (Push Side), Parallel Arm (Push Side)
Handing	Non-Handed	Arms	Regular Arm
Templating	Peel-n-Stick templates - 3/4" x 9-1/16" Mounting Hole Pattern	Finishes/Colors/Powder Coat	<ul style="list-style-type: none"> ■ Aluminum (689) ■ Statuary Bronze (690) ■ Light Bronze (691) ■ Black (693) ■ Dark Bronze (695) ■ Brass (696) ■ Custom colors optional
Size	Adjustable Spring Size 1-5		<ul style="list-style-type: none"> ■ Optional SRI primer - powder coat only
Warranty	20 years		

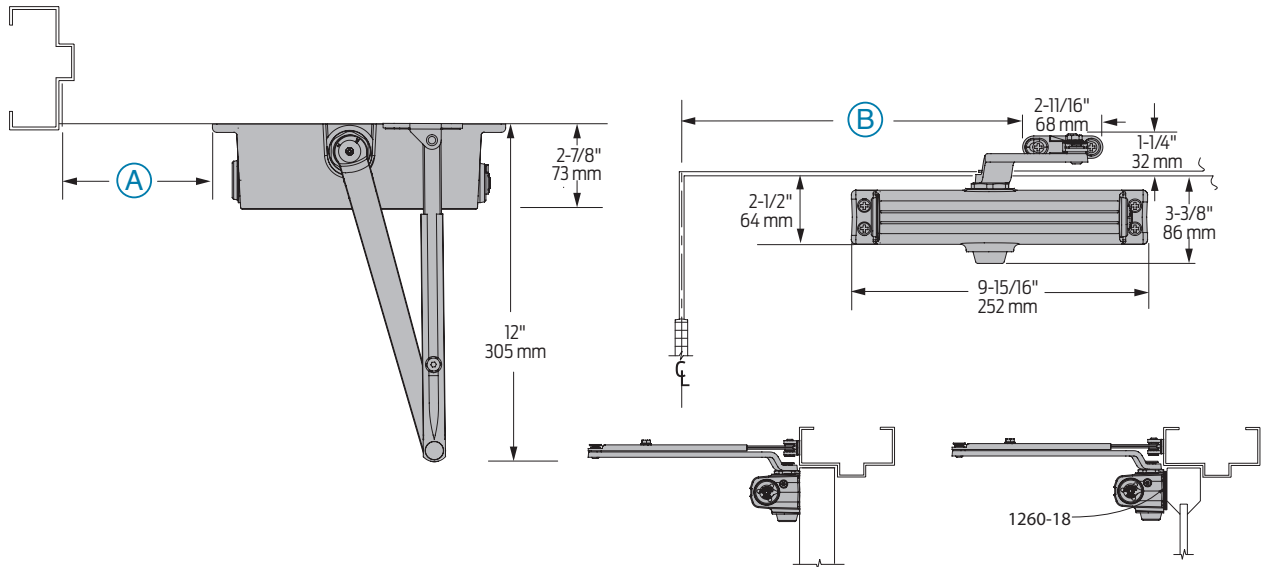
Special Templates

Customized installation templates or products may be available to solve unusual applications. Contact LCN Product Support for assistance.

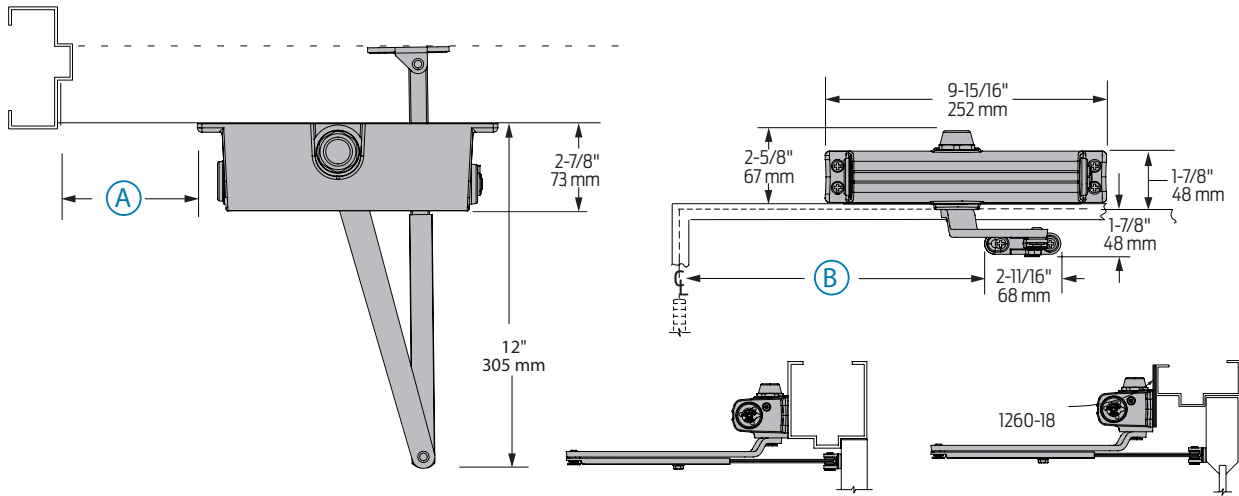


● AVAILABLE
○ NOT AVAILABLE

♿ Closer available with less than 5.0 lbs. opening force on 36" door.
* Maximum opening/hold-open point with standard template.



Butt Hinges	Should not exceed 5" (127 mm) in width
Auxiliary Stop	Recommended at hold-open point or where a door cannot swing 180°
Reveal	Should not exceed 3/4" (19 mm) for regular arm or 1/2" (13 mm) for hold-open arm
Top Rail	Less than 2-1/2" (64 mm) requires PLATE, 1260-18
Clearance	2-7/8" (73 mm) behind door required for installation
Maximum opening	110°: A = 6-9/16" (167 mm) B = 12-7/16" (316 mm)
	101° to 120°: A = 5-9/16" (141 mm) B = 11-7/16" (291 mm)
	or *121° to 180°: A = 3-1/16" (78 mm) B = 8-15/16" (227 mm)
Hold-open points up to maximum opening with hold-open arm *Frame and trim permitting.	

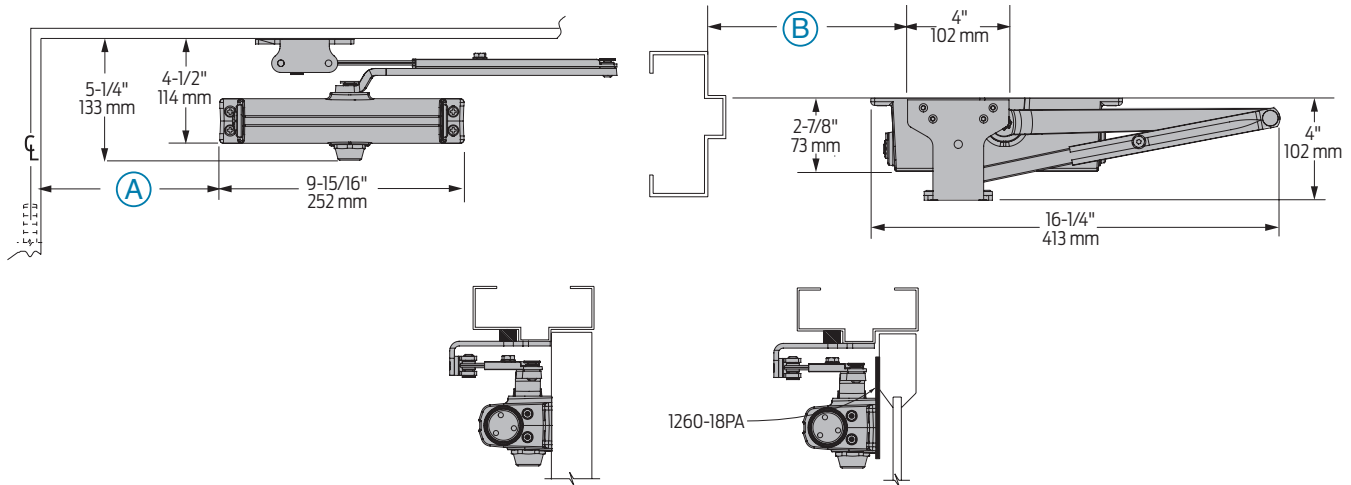


Butt Hinges	Should not exceed 5" (127 mm) in width		
Auxiliary Stop	Recommended at hold-open point or where a door cannot swing 180°		
Reveal	Arm Type	Maximum Reveal	Opening
	Regular Arm	3-1/2"	Up to 120°
	Regular Arm	2-1/4"	121° to 180°
	Long Arm	7-1/2"	Up to 120°
	Long Arm	3-1/2"	121° to 180°
	Hold-Open Arm	2"	Up to 120°
	Hold-Open Arm	2-1/4"	121° to 180°
	Long Hold-Open Arm	4-1/2"	Up to 120°
	Long Hold-Open Arm	4-1/2"	121° to 160°
Top Rail	1-3/4" (44 mm) minimum. 2-1/2" (64 mm) minimum with closer on PLATE, 1260-18		
Head Frame	Less than 1-3/4" (44 mm) requires PLATE, 1260-18. For flush ceiling condition with 2" (51 mm) head frame, use PLATE, 1260-18. (Plate requires 1-3/8" (35 mm) minimum.)		
Maximum opening	110°:	A = 7-1/16" (179 mm) B = 12-15/16" (329 mm)	
	101° to 120°:	A = 5-9/16" (141 mm) B = 11-7/16" (291 mm)	
	or *121° to 180°:	A = 3-1/16" (78 mm) B = 8-15/16" (227 mm)	
	Hold-open points up to maximum opening with hold-open arm *Frame and trim permitting.		

1260 Series

Mounting details

Parallel Arm (Push Side) Mounting

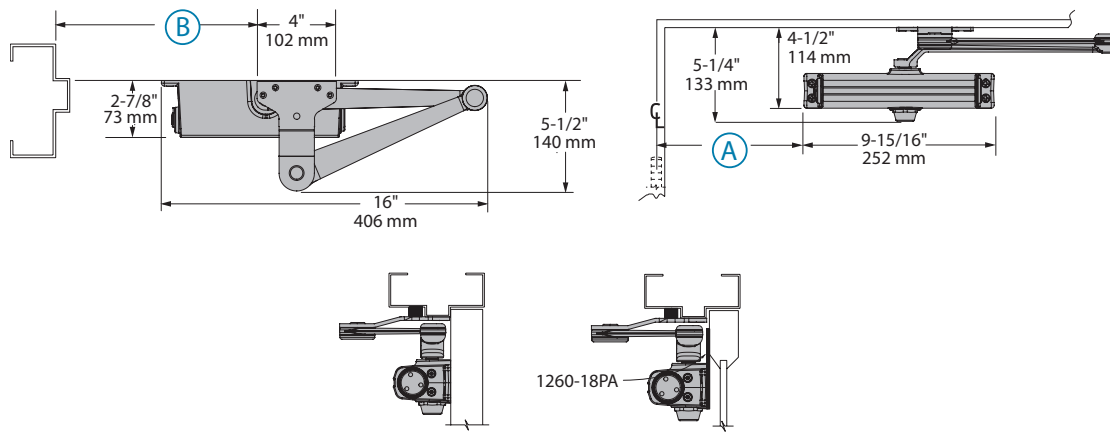


Butt Hinges	Should not exceed 5" (127 mm) in width
Auxiliary Stop	Recommended at hold-open point, where a door cannot swing 180°, or where CUSH-N-STOP arm is not used
Top Rail	Less than 4-3/8" (111 mm) measured from the stop requires PLATE, 1260-18PA
Clearance	1260-62PA shoe projects 4" (102 mm) from door face
Stop Width	Minimum 1" (25 mm)
Blade Stop	Clearance, requires 1/2" (13 mm) BLADE STOP SPACER, 1260-61
Auxiliary Shoe	1260-62A allows installation of regular arm with overhead holder/stop. Special templating required
Maximum opening	Regular or hold-open arm can be templated to 100°: A = 7-3/16" (183 mm) B = 8-5/8" (219 mm) or 101° to 130°: A = 5-11/16" (144 mm) B = 7-1/8" (181 mm) or *131° to 180°: A = 3-11/16" (94 mm) B = 5-1/8" (130 mm)
	Hold-open points up to maximum opening with hold-open arm. *Frame and trim permitting.

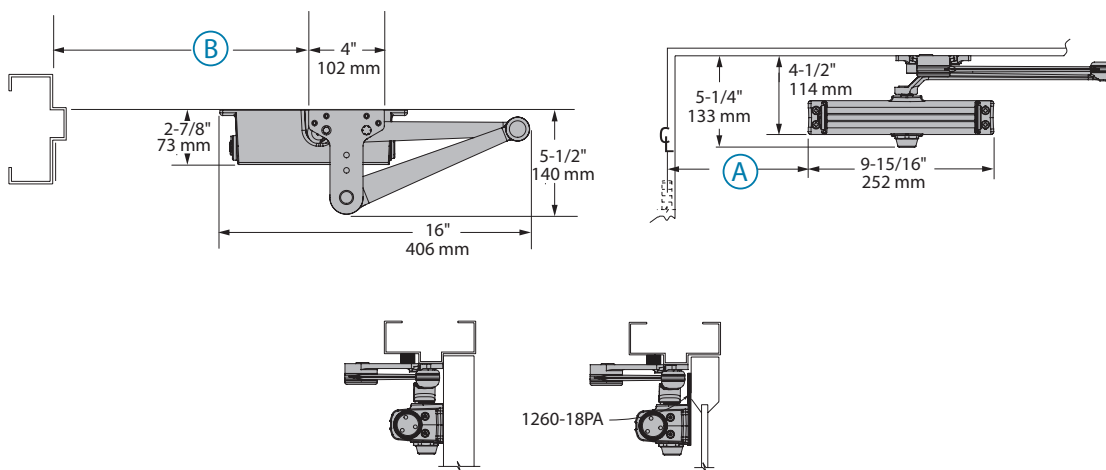
Notes:

- Optional mounting requires PA SHOE, 1260-62PA for REGULAR or HOLD-OPEN arms
- 1260 Parallel arm closer includes 1260-201 FIFTH HOLE SPACER to support PA SHOE

EDA mount



CUSH mount



Clearance	1260-62EDA or CUSH shoe projects 5-1/2" (140 mm) from door face	
Head Frame	Flush or rabbeted requires CUSH FLUSH PANEL ADAPTER, 1260-419	
EDA or CUSH ARM	Requires SHOE SUPPORT, 1260-30 for fifth screw anchorage where reveal is less than 3-1/16" (78 mm)	
Maximum opening	EDA template allows 120°. Hold-open point up to maximum opening	CUSH arms can be templated for maximum opening/hold-open point at
	90°: A = 4-13/16" (122 mm) B = 9-1/2" (241 mm)	85°: A = 5-5/16" (135 mm) B = 10" (254 mm)
	or 120°: A = 3-5/16" (84 mm) B = 8" (203 mm)	90°: A = 4-11/16" (119 mm) B = 9-3/8" (238 mm)
	Hold-open points up to maximum opening with HEDA arm	100°: A = 3-9/16" (90 mm) B = 8-1/4" (210 mm)
		110°: A = 2-13/16" (71 mm) B = 7-1/2" (191 mm)

Note:

• 1260 closers ordered with EDA, CUSH or SPRING CUSH arms include 1260-201 FIFTH HOLE SPACER to support the shoe.

Cylinders



1261(2)(3)(4)(5)-3071
Cast Iron Cylinder Assembly

- Non-handed
- Standard

Covers



1260-72
Slim Line Plastic Cover

- Non-handed
- Optional

Installation Accessories



1260-18
Plate

- Required for hinge side mount where top rail is less than 2-1/2" (64 mm)
- Required for top jamb mounting where head frame is less than 1-3/4" (44 mm) or flush ceiling condition exists
- Requires minimum 1-1/2" (38 mm) minimum top rail or 1-1/4" (32 mm) head frame



1260-18PA
Plate

- Required for parallel arm mounting where top rail is less than 4-3/8" (111 mm), measured from the stop
- Requires 1-3/4" (44 mm) minimum top rail



1260-18QF
Quick Fix™ Bracket Kit

- Optional kit includes retro-fit mounting plates for 1371 closer cylinder and shoe
- Useful in applications when previously drilled holes are damaged



1260-30
CUSH Shoe Support

- Provide anchorage for fifth screw used with CUSH arms where reveal is less than 3-1/16" (78 mm)



1260-61
Blade Stop Spacer

- Lowers parallel arm shoe to clear 1/2" (13 mm) blade stop



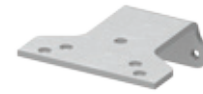
1260-62A
Auxiliary Shoe

- Requires a top rail of 7" (178 mm)
- Optional shoe replaces-62PA for parallel arm mounting of regular arm with overhead holder/stop



1260-419
PA Flush Panel Adapter

- Provides horizontal mounting surface for PA, EDA or CUSH shoe on single rabbeted or flush frame



1260-62PA
PA Shoe

- Required for parallel arm mounting

Arms



1260-3077
Regular Arm

- Non-handed
- Mounts hinge side or top jamb
- Parallel Arm includes PA SHOE, 1260-62PA required for parallel arm mounting



1260-3077L
Long Arm

- Non-handed
- Includes LONG ROD AND SHOE, 1260-79LR for top jamb mount with deep reveals
- Optional



1260-3049
Hold-open Arm

- Non-handed
- Mounts hinge side, top jamb or parallel arm (62PA required)
- Hold-open adjustable at shoe
- Optional



1260-3049L
Long Hold-open Arm

- Non-handed
- Includes LONG HEAD AND TUBE, 1260-3048L for top jamb mount with deep reveals
- Optional



1260-3077EDA
Extra Duty Arm

- Non-handed
- Features solid forged steel main and forearm for potentially abusive installations
- Optional 1260-3077EDA/G for blade stop clearance



1260-3077EDA/62G
Extra Duty Arm w/ 62G

- Non-handed
- Features solid forged steel main and forearm for potentially abusive installations



1260-3049EDA
Hold-Open Extra Duty Arm

- Handed arm
- Provides hold-open function adjustable at shoe
- Optional



1260-3077CNS
Cush-n-Stop® Arm

- Non-handed
- Features solid forged steel main arm and forearm with stop in soffit shoe
- Optional



1260-3049CNS
HCUSH Arm

- Non-handed
- Provides hold-open function with templated stop/hold-open points.
- Handle controls hold-open function
- Optional

How-to-order 1260 Series closers

Select finish

- Standard Powder Coat _____
Aluminum, Dark Bronze, Statuary,
Light Bronze, Black, Brass

Closer will be shipped with:

- Standard cylinder
- Regular arm
- Self-reaming and tapping screws
unless options listed below are selected.

Closer options

Cover

- Slim line cover (SLIM)

Finish

- Custom Powder Coat (RAL)
- SRI primer (for use with powder coat finishes only)

Arm

- Regular w/62PA (Rw/PA)
- Long (LONG)
- Regular w/62A (R/62A)
- Hold-Open (H)
- Hold-Open w/62PA (Hw/PA)
- Long Hold-Open (HLONG)
- Extra Duty (EDA) (optional -62G)
- Hold-Open Extra Duty (HEDA) - specify handing (optional -62G)
- Cush-N-Stop (CUSH)
- HCush (HCUSH)

Optional screw packs

- TB* w/Self-Reaming and Tapping Screws (TBSRT)
- Wood & Machine Screw (WMS)
- TB*, Wood & Machine Screw (TBWMS)
- TORX Machine Screw (TORX)
- TB* & TORX Machine Screw (TBTORX)
- * Specify door thickness if other than 1-3/4"

Installation accessories

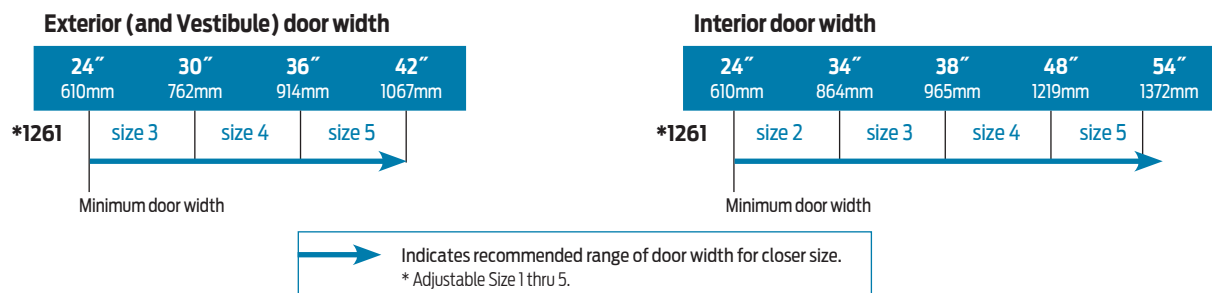
- Plate, 1260-18
- Plate, 1260-18PA
- CUSH Shoe Support, 1260-30
- Blade Stop Spacer, 1260-61
- Auxiliary Shoe, 1260-62A
- PA Flush Panel Adapter, 1260-419
- Quick Fix™ Bracket Kit, 1260-18QF

Special template

- ST- _____

Table of sizes

- Select closer based on width of door.
- The spring power of a 1261 cylinder is field adjustable from size 1 through size 5 and is shipped adjusted to size 3.



Reduced opening force 1260 Series closers

CAUTION! Any manual door closer, including those certified by BHMA to conform to ANSI Standard A156.4, that is selected, installed and adjusted based on ADA or other reduced opening force requirements may not provide sufficient power to reliably close and latch a door.

Refer to POWER OPERATORS section for information on systems that meet reduced opening force requirements without affecting closing power.

* Maximum opening force.

	DOOR WIDTH	36"	42"	48"
	8.5* lbs.	1261	1261	1261
	5.0* lbs.	1261	1261	1261